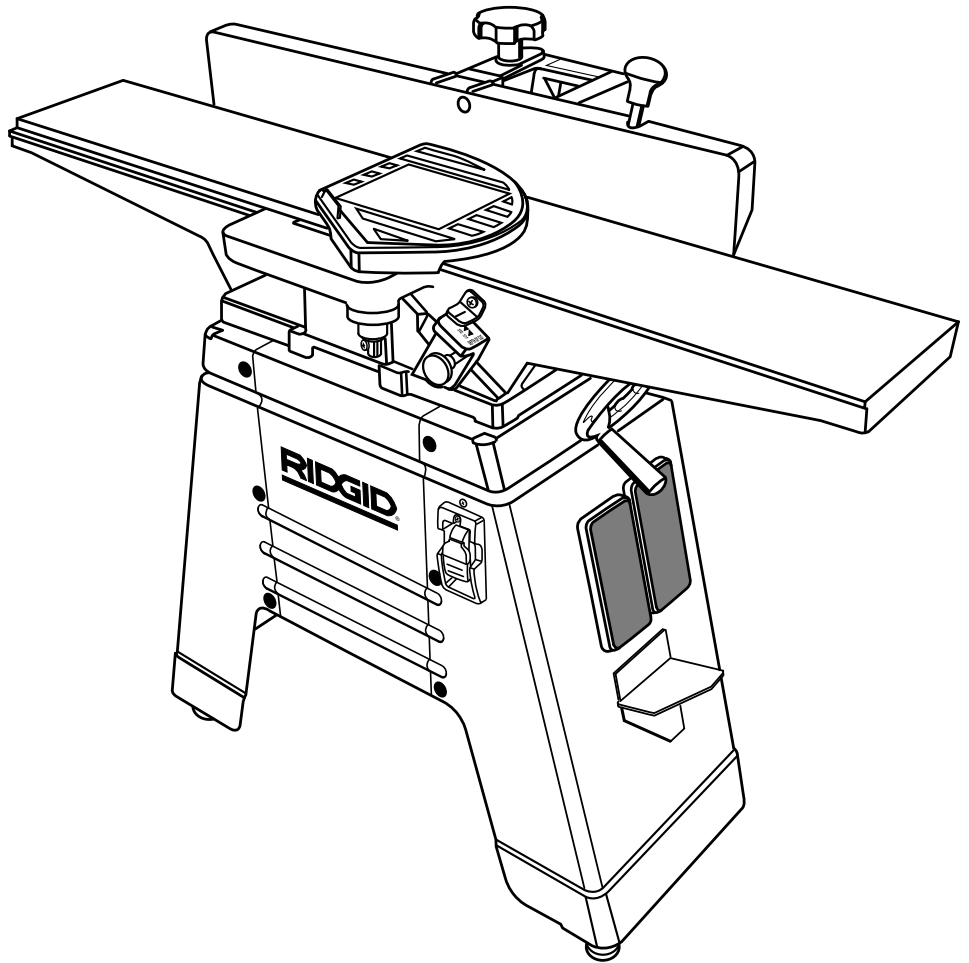


OPERATOR'S MANUAL

6-1/8 in. JOINTER/PLANER

JP06101



Your Jointer/Planer has been engineered and manufactured to RIDGID's high standard for dependability, ease of operation, and operator safety. When properly cared for, it will give you years of rugged, trouble-free performance.

⚠ WARNING:
To reduce the risk of injury, the user must read and understand the operator's manual before using this product.

Thank you for buying a RIDGID product.

SAVE THIS MANUAL FOR FUTURE REFERENCE

TABLE OF CONTENTS

■ Introduction.....	2
■ General Safety Rules.....	3-4
■ Specific Safety Rules.....	5
■ Symbols.....	6-7
■ Electrical.....	8-9
■ Glossary of Terms.....	10
■ Features.....	11-12
■ Tools Needed.....	12
■ Loose Parts.....	13-14
■ Assembly.....	14-20
■ Operation.....	21-28
■ Adjustments.....	29-31
■ Maintenance.....	32-33
■ Accessories.....	34
■ Troubleshooting.....	34-35
■ Warranty.....	39
■ Customer Service Information.....	40

INTRODUCTION

This tool has many features for making its use more pleasant and enjoyable. Safety, performance, and dependability have been given top priority in the design of this product making it easy to maintain and operate.

GENERAL SAFETY RULES

WARNING:

Read and understand all instructions. Failure to follow all instructions listed below, may result in electric shock, fire and/or serious personal injury.

READ ALL INSTRUCTIONS

- **KNOW YOUR POWER TOOL.** Read the operator's manual carefully. Learn the applications and limitations as well as specific potential hazards related to this tool.
- **GUARD AGAINST ELECTRICAL SHOCK BY PREVENTING BODY CONTACT WITH GROUNDED SURFACES.** For example: pipes, radiators, ranges, refrigerator enclosures.
- **KEEP GUARDS IN PLACE** and in working order.
- **REMOVE ADJUSTING KEYS AND WRENCHES.** Form habit of checking to see keys and adjusting wrenches are removed from tool before turning it on.
- **KEEP THE WORK AREA CLEAN.** Cluttered work areas and work benches invite accidents. **DO NOT** leave tools or pieces of wood on the tool while it is in operation.
- **DO NOT USE IN DANGEROUS ENVIRONMENTS.** Do not use power tools in damp or wet locations or expose them to rain. Keep the work area well lit.
- **KEEP CHILDREN AND VISITORS AWAY.** All visitors should wear safety glasses and be kept a safe distance from work area. Do not let visitors contact tool or extension cord while operating.
- **MAKE WORKSHOP CHILDPROOF** with padlocks, master switches, or by removing starter keys.
- **DON'T FORCE THE TOOL.** It will do the job better and safer at the rate for which it was designed.
- **USE THE RIGHT TOOL.** Do not force the tool or attachment to do a job for which it was not designed.
- **USE THE PROPER EXTENSION CORD.** Make sure your extension cord is in good condition. Use only a cord heavy enough to carry the current your product will draw. An undersized cord will cause a drop in line voltage resulting in loss of power and overheating. A wire gauge size (A.W.G.) of at least **14** is recommended for an extension cord 25 feet or less in length. If in doubt, use the next heavier gauge. The smaller the gauge number, the heavier the cord.
- **DRESS PROPERLY.** Do not wear loose clothing, neckties, or jewelry that can get caught and draw you into moving parts. Rubber gloves and nonslip footwear are recommended when working outdoors. Also wear protective hair covering to contain long hair.
- **ALWAYS WEAR SAFETY GLASSES WITH SIDE SHIELDS.** Everyday eyeglasses have only impact-resistant lenses, they are **NOT** safety glasses.
- **SECURE WORK.** Use clamps or a vise to hold work when practical, it is safer than using your hand and frees both hands to operate the tool.
- **DO NOT OVERREACH.** Keep proper footing and balance at all times.
- **MAINTAIN TOOLS WITH CARE.** Keep tools sharp and clean for best and safest performance. Follow instructions for lubricating and changing accessories.
- **DISCONNECT TOOLS.** When not in use, before servicing, or when changing attachments, blades, bits, cutters, etc., all tools should be disconnected from power source.
- **AVOID ACCIDENTAL STARTING.** Be sure switch is off when plugging in any tool.
- **USE RECOMMENDED ACCESSORIES.** Consult the operator's manual for recommended accessories. The use of improper accessories may result in injury.
- **NEVER STAND ON TOOL.** Serious injury could occur if the tool is tipped.
- **CHECK DAMAGED PARTS.** Before further use of the tool, a guard or other part that is damaged should be carefully checked to determine that it will operate properly and perform its intended function. Check for alignment of moving parts, binding of moving parts, breakage of parts, mounting and any other conditions that may affect its operation. A guard or other part that is damaged must be properly repaired or replaced by an authorized service center to avoid risk of personal injury.
- **USE THE RIGHT DIRECTION OF FEED.** Feed work into a blade, cutter, or sanding spindle against the direction or rotation of the blade, cutter, or sanding spindle only.
- **NEVER LEAVE TOOL RUNNING UNATTENDED. TURN THE POWER OFF.** Don't leave tool until it comes to a complete stop.
- **PROTECT YOUR LUNGS.** Wear a face or dust mask if the cutting operation is dusty.
- **PROTECT YOUR HEARING.** Wear hearing protection during extended periods of operation.
- **DO NOT ABUSE CORD.** Never carry tool by the cord or yank it to disconnect from receptacle. Keep cord from heat, oil, and sharp edges.
- **USE OUTDOOR EXTENSION CORDS.** When tool is used outdoors, use only extension cords with approved ground connection that are intended for use outdoors and so marked.
- **KEEP BLADES CLEAN, SHARP, AND WITH SUFFICIENT SET.** Sharp blades minimize stalling and kickback.
- **NEVER USE IN AN EXPLOSIVE ATMOSPHERE.** Normal sparking of the motor could ignite fumes.
- **INSPECT TOOL CORDS PERIODICALLY.** If damaged, have repaired by a qualified service technician at an authorized service facility. The conductor with insulation having an outer surface that is green with or without yellow stripes is the equipment-grounding conductor. If repair or replacement of the electric cord or plug is necessary, do not connect the equipment-grounding conductor to a live terminal. Repair or replace a damaged or worn cord immediately. Stay constantly aware of cord location and keep it well away from the rotating blade.

GENERAL SAFETY RULES

- **INSPECT EXTENSION CORDS PERIODICALLY** and replace if damaged.
- **KEEP TOOL DRY, CLEAN, AND FREE FROM OIL AND GREASE.** Always use a clean cloth when cleaning. Never use brake fluids, gasoline, petroleum-based products, or any solvents to clean tool.
- **STAY ALERT AND EXERCISE CONTROL.** Watch what you are doing and use common sense. Do not operate tool when you are tired. Do not rush.
- **DO NOT USE TOOL IF SWITCH DOES NOT TURN IT ON AND OFF.** Have defective switches replaced by an authorized service center.
- **INSPECT FOR AND REMOVE ALL NAILS FROM LUMBER BEFORE USING THIS TOOL.** Following this rule will reduce the risk of serious personal injury.
- **NEVER START A TOOL WHEN ANY ROTATING COMPONENT IS IN CONTACT WITH THE WORKPIECE.**
- **DO NOT OPERATE A TOOL WHILE UNDER THE INFLUENCE OF DRUGS, ALCOHOL, OR ANY MEDICATION.**
- **WHEN SERVICING** use only identical replacement parts. Use of any other parts may create a hazard or cause product damage.
- **USE ONLY RECOMMENDED ACCESSORIES** listed in this manual or addendums. Use of accessories that are not listed may cause the risk of personal injury. Instructions for safe use of accessories are included with the accessory.
- **DOUBLE CHECK ALL SETUPS.** Make sure the spindle or sanding belt assembly is tight and not making contact with sander or workpiece before connecting to power supply.

SPECIFIC SAFETY RULES

- **PROTECT YOUR LUNGS.** Wear a face or dust mask if the cutting operation is dusty.
- **PROTECT YOUR HEARING.** Wear hearing protection during extended periods of operation.
- **INSPECT TOOL CORDS PERIODICALLY AND, IF DAMAGED, HAVE REPAIRED AT YOUR NEAREST AUTHORIZED SERVICE CENTER. CONSTANTLY STAY AWARE OF CORD LOCATION.** Following this rule will reduce the risk of electric shock or fire.
- **INSPECT FOR AND REMOVE ALL NAILS FROM LUMBER BEFORE USING THIS TOOL.** Following this rule will reduce the risk of serious personal injury.
- **SAVE THESE INSTRUCTIONS.** Refer to them frequently and use them to instruct others who may use this tool. If you loan someone this tool, loan them these instructions also.
- **SMALL OR THIN WORKPIECES CAN KICKBACK WHEN THEY TIP OVER ON THE TABLES OR INTO THE CUTTER HEAD.** To reduce the risk of cutter head contact or workpiece kickback: Never joint, plane or bevel workpieces shorter than 12 in.
- **WHEN JOINTING** never joint workpieces less than 3/4 in. wide or 1/4 in. thick.
- **ALWAYS USE PUSH BLOCKS/PUSH STICK** when jointing or beveling wood narrower than 3 in.
- **WHEN RABBETING** always make cuts in 1/8 in. increments or less.
- **NEVER PLANE WOOD NARROWER OR THINNER THAN 3/4 IN.**
- **ALWAYS USE PUSH BLOCKS/PUSH STICK** when planing.
- **NEVER** perform any operation "freehand" which means using only your hands to support or guide the workpiece. Always use either the rip fence or miter fence to position and guide the work.
- **MAKE SURE THERE'S NO DEBRIS** between the workpiece and either the fence or table top.
- **ALWAYS USE A STABLE WORK SUPPORT WHEN JOINTING OR PLANING LONG WORKPIECES.** Never use another person as additional support or to help feed, support or pull the workpiece in any operation.
- **NEVER CUT** more than one workpiece at a time.
- **NEVER TURN YOUR JOINTER/PLANER "ON"** before clearing everything except the workpiece and related support devices off the table.
- **AVOID AWKWARD OPERATIONS AND HAND POSITIONS** where a sudden slip could cause your hand to move into the cutter head. Never pass either hand over the cutter head during any operation.
- **SAVE THESE INSTRUCTIONS.** Refer to them frequently and use to instruct other users. If you loan someone this tool, loan them these instructions also.

WARNING:











Some dust created by power sanding, sawing, grinding, drilling, and other construction activities contains chemicals known to cause cancer, birth defects or other reproductive harm. Some examples of these chemicals are:

- lead from lead-based paints,
- crystalline silica from bricks and cement and other masonry products, and
- arsenic and chromium from chemically-treated lumber.

Your risk from these exposures varies, depending on how often you do this type of work. To reduce your exposure to these chemicals: work in a well ventilated area, and work with approved safety equipment, such as those dust masks that are specially designed to filter out microscopic particles.




SYMBOLS

Some of the following symbols may be used on this tool. Please study them and learn their meaning. Proper interpretation of these symbols will allow you to operate the tool better and safer.

SYMBOL	NAME	DESIGNATION/EXPLANATION
V	Volts	Voltage
A	Amperes	Current
Hz	Hertz	Frequency (cycles per second)
W	Watt	Power
min	Minutes	Time
~	Alternating Current	Type of current
==	Direct Current	Type or a characteristic of current
n_0	No Load Speed	Rotational speed, at no load
	Class II Construction	Double-insulated construction
.../min	Per Minute	Revolutions, strokes, surface speed, orbits etc., per minute
	Wet Conditions Alert	Do not expose to rain or use in damp locations.
	Read The Operator's Manual	To reduce the risk of injury, user must read and understand operator's manual before using this product.
	Eye Protection	Always wear safety goggles or safety glasses with side shields and a full face shield when operating this product.
	Safety Alert	Precautions that involve your safety.
	No Hands Symbol	Failure to keep your hands away from the blade will result in serious personal injury.
	No Hands Symbol	Failure to keep your hands away from the blade will result in serious personal injury.
	No Hands Symbol	Failure to keep your hands away from the blade will result in serious personal injury.
	No Hands Symbol	Failure to keep your hands away from the blade will result in serious personal injury.
	Hot Surface	To reduce the risk of injury or damage, avoid contact with any hot surface.

SYMBOLS

The following signal words and meanings are intended to explain the levels of risk associated with this product.

SYMBOL	SIGNAL	MEANING
	DANGER:	Indicates an imminently hazardous situation, which, if not avoided, will result in death or serious injury.
	WARNING:	Indicates a potentially hazardous situation, which, if not avoided, could result in death or serious injury.
	CAUTION:	Indicates a potentially hazardous situation, which, if not avoided, may result in minor or moderate injury.
	CAUTION:	(Without Safety Alert Symbol) Indicates a situation that may result in property damage.

SERVICE

Servicing requires extreme care and knowledge and should be performed only by a qualified service technician. For service we suggest you return the product to your nearest **AUTHORIZED SERVICE CENTER** for repair. When servicing, use only identical replacement parts.



WARNING:

To avoid serious personal injury, do not attempt to use this product until you read thoroughly and understand completely the operator's manual. Save this operator's manual and review frequently for continuing safe operation and instructing others who may use this product.



WARNING:



The operation of any power tool can result in foreign objects being thrown into your eyes, which can result in severe eye damage. Before beginning power tool operation, always wear safety goggles or safety glasses with side shields and a full face shield when needed. We recommend Wide Vision Safety Mask for use over eyeglasses or standard safety glasses with side shields. Always use eye protection which is marked to comply with ANSI Z87.1.

SAVE THESE INSTRUCTIONS

ELECTRICAL

EXTENSION CORDS

Use only 3-wire extension cords that have 3-prong grounding plugs and 3-pole receptacles that accept the tool's plug. When using a power tool at a considerable distance from the power source, use an extension cord heavy enough to carry the current that the tool will draw. An undersized extension cord will cause a drop in line voltage, resulting in a loss of power and causing the motor to overheat. Use the chart provided below to determine the minimum wire size required in an extension cord. Only round jacketed cords listed by Underwriter's Laboratories (UL) should be used.

**Ampere rating (on tool faceplate)

Cord Length	Wire Size (A.W.G.)					
	0-2.0	2.1-3.4	3.5-5.0	5.1-7.0	7.1-12.0	12.1-16.0
25'	16	16	16	16	14	14
50'	16	16	16	14	14	12
100'	16	16	14	12	10	—

**Used on 12 gauge - 20 amp circuit.

NOTE: AWG = American Wire Gauge

When working with the tool outdoors, use an extension cord that is designed for outside use. This is indicated by the letters "WA" on the cord's jacket.

Before using an extension cord, inspect it for loose or exposed wires and cut or worn insulation.

WARNING:

Keep the extension cord clear of the working area. Position the cord so that it will not get caught on lumber, tools or other obstructions while you are working with a power tool. Failure to do so can result in serious personal injury.

WARNING:

Check extension cords before each use. If damaged replace immediately. Never use tool with a damaged cord since touching the damaged area could cause electrical shock resulting in serious injury.

ELECTRICAL CONNECTION

This tool is powered by a precision built electric motor. It should be connected to a **power supply that is 120 volts, 60 Hz, AC only (normal household current)**. Do not operate this tool on direct current (DC). A substantial voltage drop will cause a loss of power and the motor will overheat. If the saw does not operate when plugged into an outlet, double check the power supply.

SPEED AND WIRING

The no-load speed of this tool is approximately 3,450/min. This speed is not constant and decreases under a load or with lower voltage. For voltage, the wiring in a shop is as important as the motor's horsepower rating. A line intended only for lights cannot properly carry a power tool motor. Wire that is heavy enough for a short distance will be too light for a greater distance. A line that can support one power tool may not be able to support two or three tools.

GROUNDING INSTRUCTIONS

In the event of a malfunction or breakdown, grounding provides a path of least resistance for electric current to reduce the risk of electric shock. This tool is equipped with an electric cord having an equipment-grounding conductor and a grounding plug. The plug must be plugged into a matching outlet that is properly installed and grounded in accordance with all local codes and ordinances.

Do not modify the plug provided. If it will not fit the outlet, have the proper outlet installed by a qualified electrician. Improper connection of the equipment-grounding conductor can result in a risk of electric shock. The conductor with insulation having an outer surface that is green with or without yellow stripes is the equipment-grounding conductor. If repair or replacement of the electric cord or plug is necessary, do not connect the equipment-grounding conductor to a live terminal.

Check with a qualified electrician or service personnel if the grounding instructions are not completely understood, or if in doubt as to whether the tool is properly grounded.

Repair or replace a damaged or worn cord immediately.

This tool is intended for use on a circuit that has an outlet like the one shown in figure 1. It also has a grounding pin like the one shown.

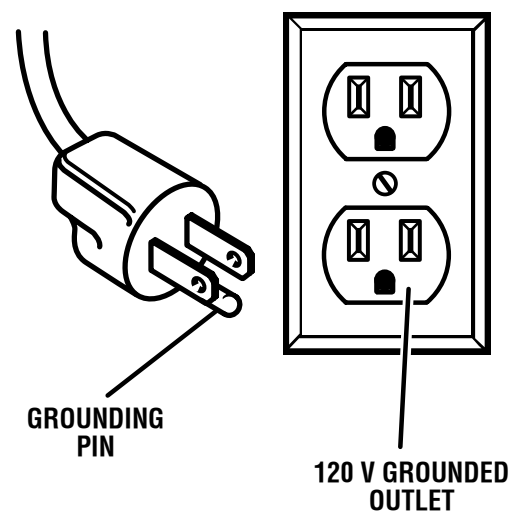


Fig. 1

ELECTRICAL

CHANGING MOTOR VOLTAGE

See Figures 2 - 5.

⚠ WARNING:

Electric shock can kill. To reduce the risk of serious personal injury, never connect plug to power source until all assembly steps are completed.

NOTE: The jointer/planer is prewired at the factory for 120 volts, 60 Hz. Use the following procedures to change motor voltage from 120 volts to 240 volts.

- Unplug the jointer/planer.
- Located on the side of the motor is the junction box. Remove the phillips screw at the back of the junction box then lift off the cover.
- Remove and discard the electrical tape from the wire connectors. Remove wire connectors.
- Reconnect the leads.
- Reinstall the wire connectors and wrap each wire with two layers of new UL listed electrical tape.
- Recheck your wiring with the wiring diagrams.
- Reinstall the junction box cover using the phillips screw.
- Cut off the 120 volt power cord plug and replace it with a 3-prong 240 volt, 15 amp. UL listed plug.
- Connect the power cord white and black leads, respectively, to the "hot" plug blade terminals. Connect the power cord green grounding wire to the plug ground prong terminal.
- Plug your jointer/planer into a 220-240 volt, 15 amp., 3-prong receptacle.
- Make certain the receptacle is connected to a 240 volt, AC power supply through a 240 volt branch circuit having at least a 15 amp capacity and protected by a 15 amp time-delay fuse or circuit breaker.

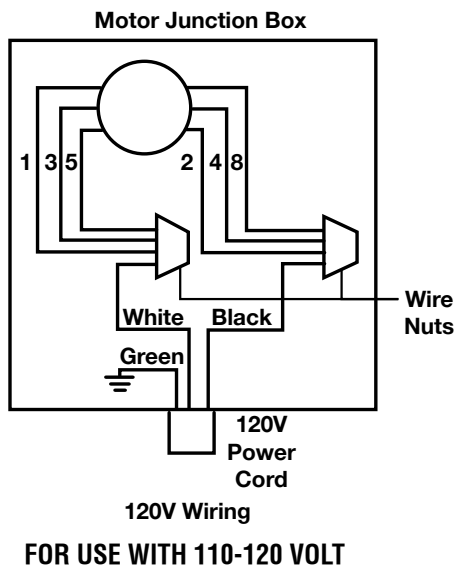


Fig. 2

⚠ WARNING:

To prevent possible electrical hazards including electrocution or death, have a qualified electrician check the line if you are not certain that it is properly wired.

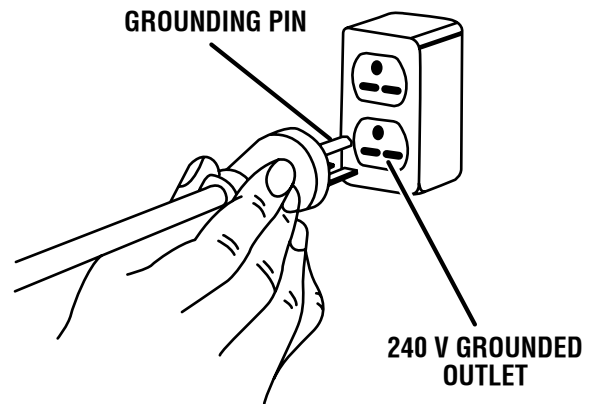


Fig. 3

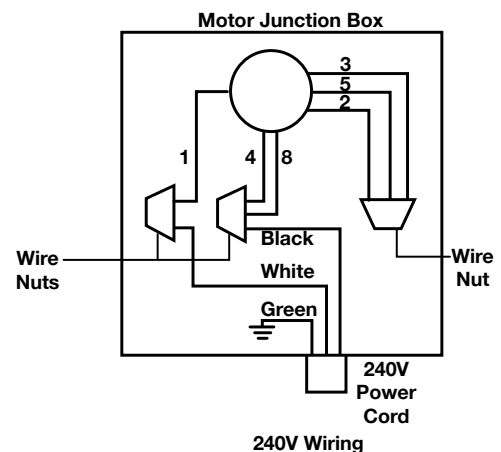


Fig. 4

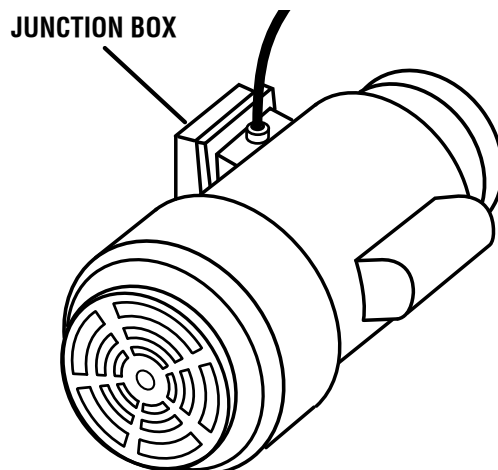


Fig. 5

GLOSSARY OF TERMS

Anti-Kickback Pawls (radial arm and table saws)

A device which, when properly installed and maintained, is designed to stop the workpiece from being kicked back toward the front of the saw during a ripping operation.

Arbor

The shaft on which a blade or cutting tool is mounted.

Bevel Cut

A cutting operation made with the blade at any angle other than 90° to the table surface.

Chamfer

A cut removing a wedge from a block so the end (or part of the end) is angled rather than at 90°.

Compound Cut

A cross cut made with both a miter and a bevel angle.

Crosscut

A cutting or shaping operation made across the grain or the width of the workpiece.

Cutter Head (planers and jointer planers)

A rotating cutterhead with adjustable blades or knives. The blades or knives remove material from the workpiece.

Dado Cut

A non-through cut which produces a square-sided notch or trough in the workpiece (requires a special blade).

Featherboard

A device used to help control the workpiece by guiding it securely against the table or fence during any ripping operation.

FPM or SPM

Feet per minute (or strokes per minute), used in reference to blade movement.

Freehand

Performing a cut without the workpiece being guided by a fence, miter gauge, or other aids.

Gum

A sticky, sap-based residue from wood products.

Heel

Alignment of the blade to the fence.

Kerf

The material removed by the blade in a through cut or the slot produced by the blade in a non-through or partial cut.

Kickback

A hazard that can occur when the blade binds or stalls, throwing the workpiece back toward operator.

Leading End

The end of the workpiece pushed into the tool first.

Miter Cut

A cutting operation made with the workpiece at any angle to the blade other than 90°.

Non-Through Cuts

Any cutting operation where the blade does not extend completely through the thickness of the workpiece.

Push Blocks (for jointer planers)

Device used to feed the workpiece over the jointer planer cutterhead during any operation. This aid helps keep the operator's hands well away from the cutterhead.

Push Blocks and Push Sticks (for table saws)

Devices used to feed the workpiece through the saw blade during cutting operations. A push stick (not a push block) should be used for narrow ripping operations. These aids help keep the operator's hands well away from the blade.

Pilot Hole (drill presses)

A small hole drilled in a workpiece that serves as a guide for drilling large holes accurately.

Resaw

A cutting operation to reduce the thickness of the workpiece to make thinner pieces.

Resin

A sticky, sap-based substance that has hardened.

Revolutions Per Minute (RPM)

The number of turns completed by a spinning object in one minute.

Ripping or Rip Cut

A cutting operation along the length of the workpiece.

Riving Knife/Spreader/Splitter (table saws)

A metal piece, slightly thinner than the blade, which helps keep the kerf open and also helps to prevent kickback.

Saw Blade Path

The area over, under, behind, or in front of the blade. As it applies to the workpiece, that area which will be or has been cut by the blade.

Set

The distance that the tip of the saw blade tooth is bent (or set) outward from the face of the blade.

Snipe (planers)

Depression made at either end of a workpiece by cutter blades when the workpiece is not properly supported.

Throw-Back

The throwing back of a workpiece usually caused by the workpiece being dropped into the blade or being placed inadvertently in contact with the blade.

Through Sawing

Any cutting operation where the blade extends completely through the thickness of the workpiece.

Workpiece or Material

The item on which the operation is being done.

Worktable

Surface where the workpiece rests while performing a cutting, drilling, planing, or sanding operation.

FEATURES

PRODUCT SPECIFICATIONS

Motor 1 HP Induction
 Phase Single
 Rotation of Shaft Counterclockwise
 No Load Speed 3450/min.
 Cuts Per Minute 10,350/CPM

Cutter Head 3 Knives
 Input 120 V, 60 Hz, AC only, 12.0 Amps
 Input 240 V, 60 Hz, AC only, 6.0 Amps
 Net Weight 208 lbs.

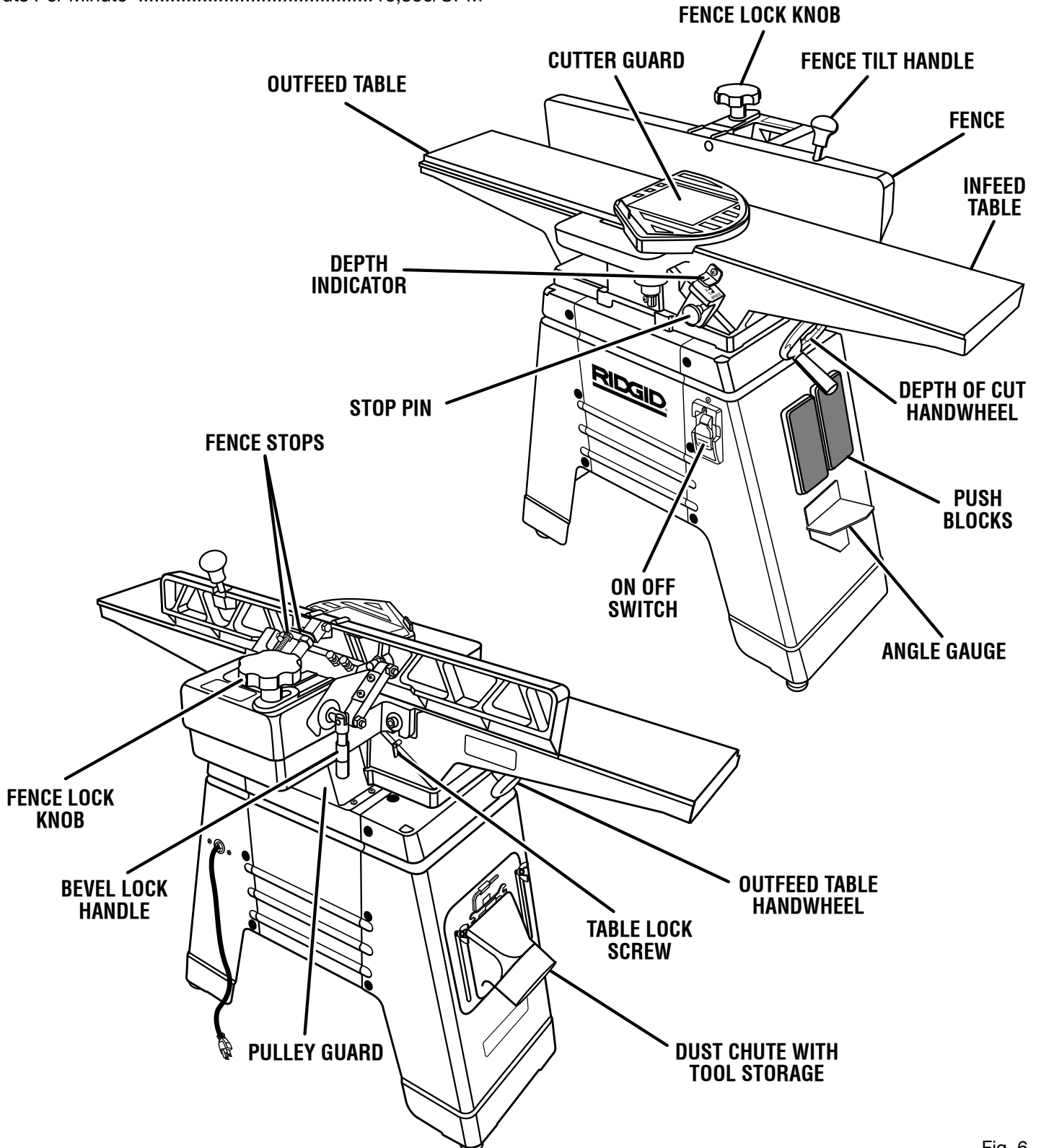


Fig. 6

FEATURES

KNOW YOUR JOINTER/PLANER

See Figure 6.

Before attempting to use this product, familiarize yourself with all operating Features and Safety Rules.

DUST CHUTE WITH TOOL STORAGE

Allows 4 in. diameter dust collection hose. Easily slides up and out of the way when a vacuum is not connected. Also tool storage for knife adjustment wrenches.

OUTFEED TABLE

The section of a jointer bed which supports the workpiece after it passes over the cutter.

FENCE LOCK KNOB

Allows fence to move across table front to back. This is done to achieve full width of cut or to use a different (sharper) part of cutter knives.

PULLEY GUARD

Protects user from incidental access to the motor belt and pulley.

TABLE LOCK SCREW

Use these screws to lock infeed or outfeed table at a desired height.

DEPTH OF CUT HANDWHEEL

By turning the handwheel you can control how much wood will be removed from the workpiece on each cut.

90° AND 135° FENCE STOPS

When adjusted properly, these stops provide a method for quickly moving the fence to a 90° or 135° position from the table.

FENCE TILT HANDLE

Assists in positioning the fence to various bevel angles.

FENCE

Guides workpiece over cutter head.

BEVEL LOCK HANDLE

Secures the fence at the desired bevel setting.

INFEED TABLE

The section of the jointer bed upon which the workpiece is placed before being pushed into the cutter. Its height is adjustable which allows the operator to select the depth of cut.

CUTTER GUARD

Helps protect the operator from the sharp knives on the cutter head. It is spring loaded so it automatically keeps the cutter head covered before, during, and after a cutting operation. It must always be used.

STOP PIN

For rabbeting operations up to 1/2 in. deep, stop pin can be pulled out to lower infeed table in 1/8 in. increments.

ANGLE GAUGE

Used to set the fence at the desired bevel angle.

ON/OFF SWITCH

Turns the tool on and off. When the key is inserted in the switch lever, the power may be turned ON (I) and OFF (O). When it is removed, the power cannot be turned ON. This feature is intended to help prevent any unauthorized use.

TOOLS NEEDED

The following tools (not included) are needed for making adjustments or installing the knives:

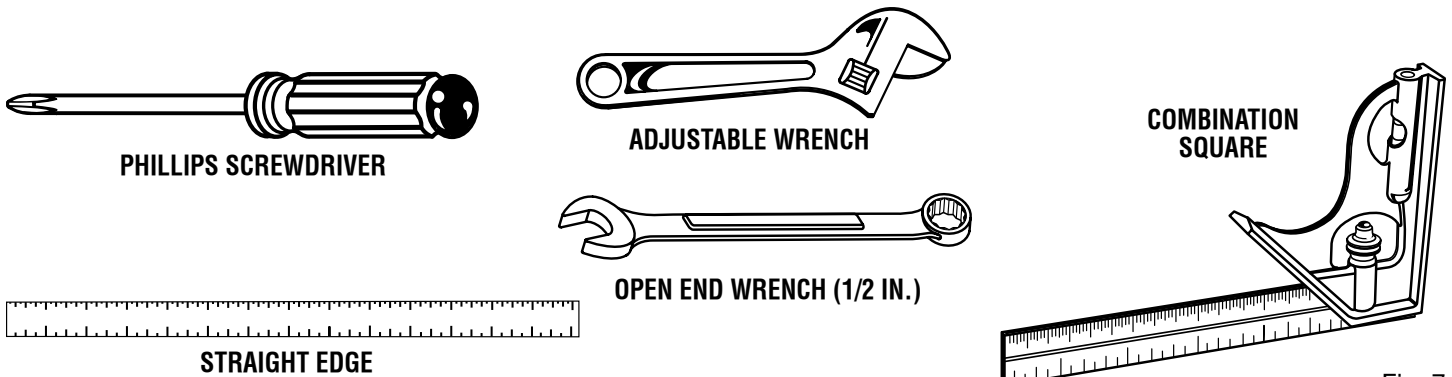


Fig. 7

LOOSE PARTS

The following items are included with your tool:

- | | | | |
|-----------------------------------|---|-----------------------------------|---|
| 1. Motor and Switch Assembly..... | 1 | 7. Front Panel | 1 |
| 2. Jointer Bed Assembly..... | 1 | 8. Right Side Panel | 1 |
| 3. Motor Mount Bracket | 1 | 9. Left Side Panel | 1 |
| 4. Fence Assembly | 1 | Operator's Manual (Not shown) | |
| 5. Dust Chute..... | 1 | Hardware Blister Pack (Not shown) | |
| 6. Rear Panel | 1 | | |

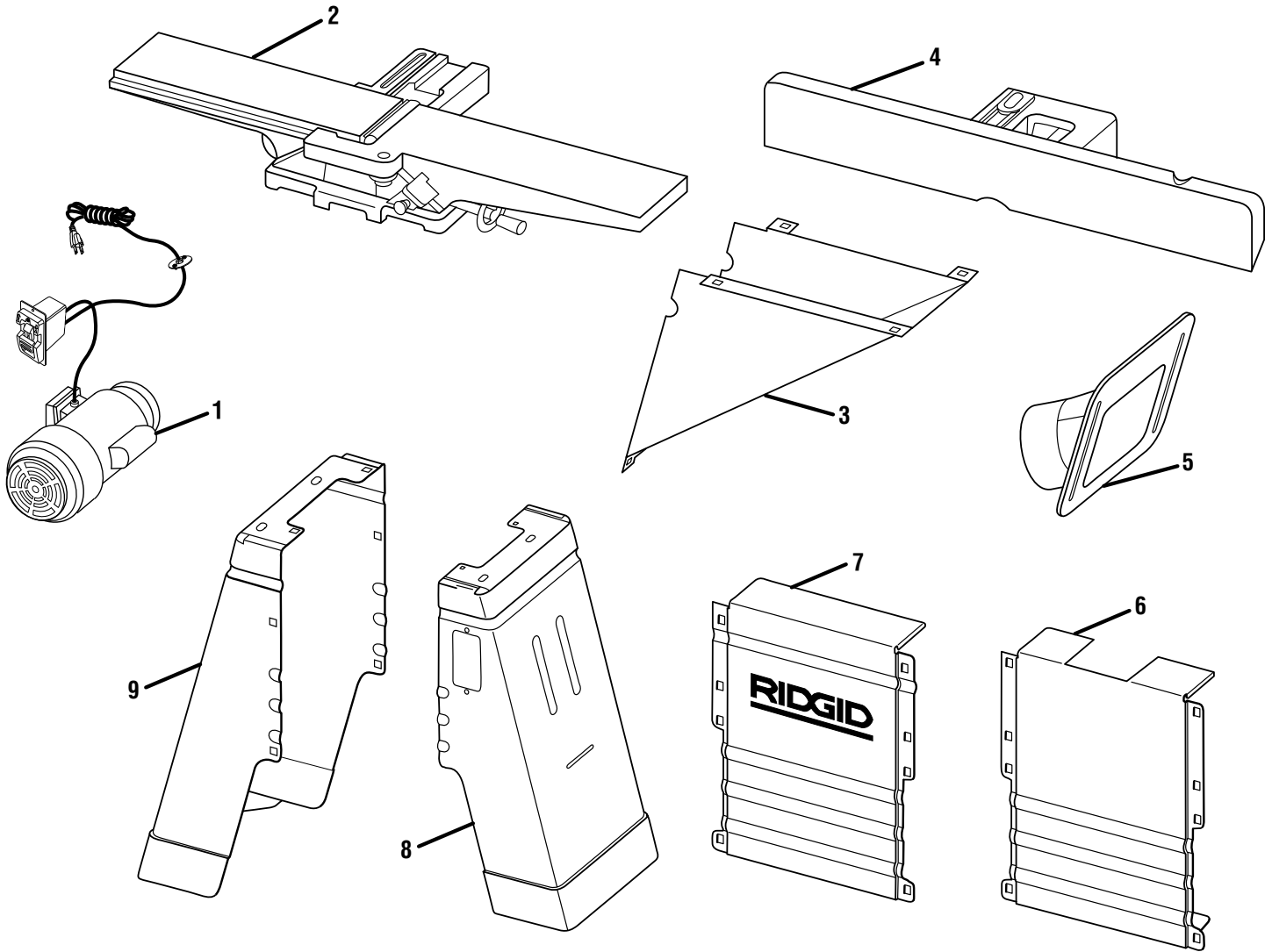


Fig. 8

LOOSE PARTS

The following items are included with your tool:

1. Pulley Guard	1	5. Push Blocks.....	2
2. V-Belt	1	6. Fence Tilt Handle.....	1
3. Angle Gauge.....	1	7. Fence Lock Knob	1
4. Cutter Guard.....	1	8. Handwheel.....	1

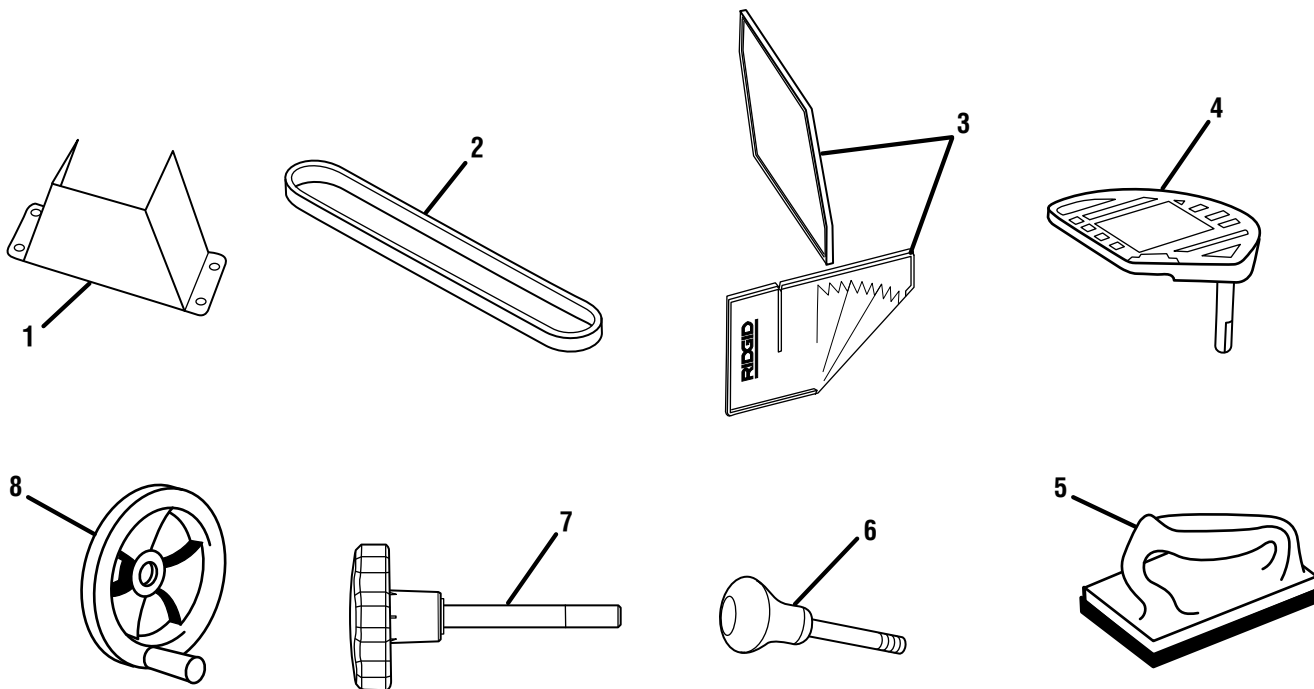


Fig. 9

ASSEMBLY

UNPACKING

This product requires assembly.

- Carefully lift jointer/planer from the carton by the base, and place it on a level work surface.

WARNING:

This tool is heavy. To avoid back injury, lift with your legs, not your back, and get help when needed.

- Inspect the tool carefully to make sure no breakage or damage occurred during shipping.
- Do not discard the packing material until you have carefully inspected and satisfactorily operated the tool.
- If any parts are damaged or missing, please call 1-866-539-1710 for assistance.

WARNING:

If any parts are missing, do not operate this tool until the missing parts are replaced. Failure to do so could result in possible serious personal injury.

WARNING:

Do not attempt to modify this tool or create accessories not recommended for use with this tool. Any such alteration or modification is misuse and could result in a hazardous condition leading to possible serious personal injury.

ASSEMBLY

⚠ WARNING:

Do not connect to power supply until assembly is complete. Failure to comply could result in accidental starting and possible serious personal injury.

ASSEMBLING SIDE PANELS AND MOTOR MOUNT

See Figures 10 - 11.

- Locate the following:
 - Carriage Head Bolts (6), 5/16-18 x 1/2 in.
 - Serrated Flange Hex Nut (6), 5/16 in.
 - Left Panel Side (1)
 - Right Panel Side (1)
 - Motor Mount (1)
- Mount the motor mount onto the left side panel as shown. Make sure the lower tab of the motor mount with two holes is on the inside of the left side panel. Bolt the motor mount to the panel using the 5/16 in. carriage head bolts and 5/16 in. serrated flange nuts. Tighten the nuts with a wrench.

NOTE: Make sure that the tabs of the motor mount panel are on top of the left side panel tabs.
- Mount the right side panel to the motor mount as shown using 5/16 in. carriage head bolts and 5/16 in. serrated flange nuts. Tighten the nuts with a wrench.

ASSEMBLING FRONT PANEL

See Figure 12.

- Locate the following:
 - Carriage Head Bolts (6), 5/16-18 x 1/2 in.
 - Serrated Flange Hex Nuts (6), 5/16 in.
 - Front panel with RIDGID logo (1)
- **NOTE:** Tabs on front panel must be on the inside of side panel prior to securing with nuts and bolts.
- Bolt the front panel in place as shown using 5/16 in. carriage head bolts and 5/16 in. serrated flange nuts. Make sure the front panel is mounted on the same side of the base as the switch opening. The panel should bolt in place on the backside of the left and right side panels as shown. Tighten the nuts with a wrench.
- Tighten all bolts on the base at this time.

NOTE: It may be easier to tighten the bolt holding the front panel on if the base is turned upside down. The rear panel will be mounted later.

NOTE: Holes marked "A" on both front and rear panels are not used for assembly.

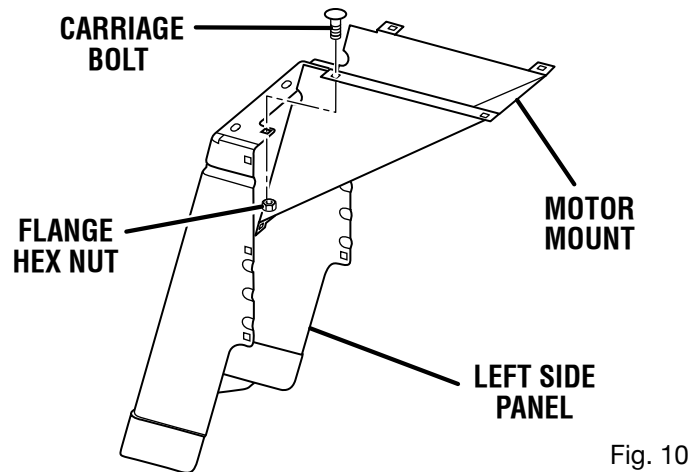


Fig. 10

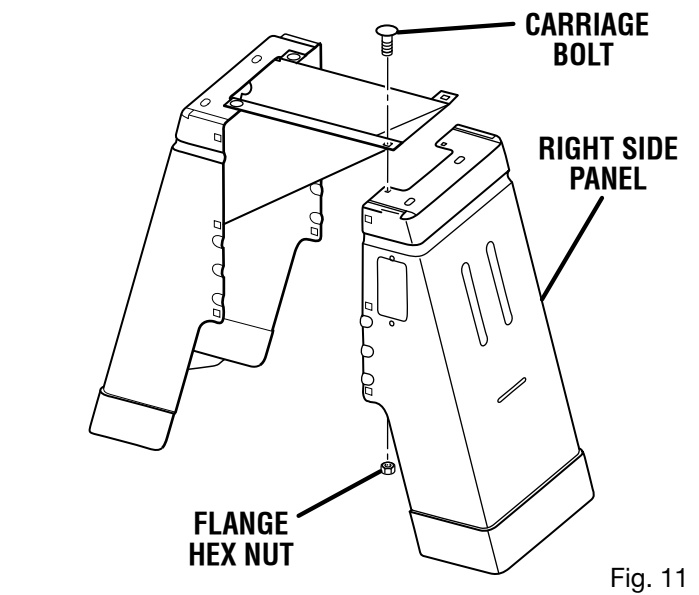


Fig. 11

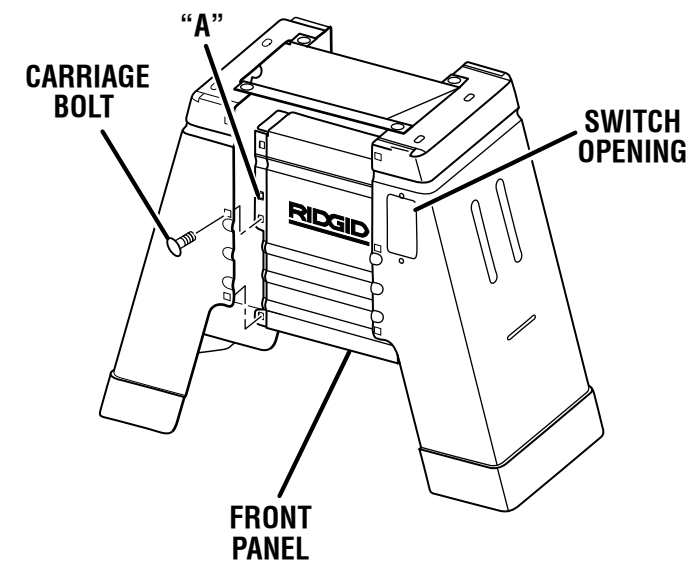


Fig. 12

ASSEMBLY

ASSEMBLING THE LEVELING FEET

See Figure 13.

- Turn the base upside down.
- Locate the following:
 - Rubber Leveling Feet (4)
 - Flat Washer (8), 3/8 in.
 - Hex Nut (8), 3/8 in.
- Thread a 3/8 in. nut onto each of the leveling feet until the nut is 1/2 in. from the foot. Do this for all four feet.
- Attach the leveling feet as shown. Place a 3/8 in. washer on the bottom side of the foot mount tab and a washer on top. Bolt the feet in place with the other 3/8 in. nut. Tighten the nuts down with a wrench.

NOTE: Once the jointer is in its permanent location the leveling feet may need to be adjusted.

ADJUSTING THE LEVELING FEET

Move the jointer/planer to the location where it will reside during use.

To level the cabinet, loosen the nut and adjust leveling feet up or down as needed. Adjust all four leveling feet if necessary and then retighten the nut.

NOTE: These levelers are not intended for height adjustment, only leveling adjustment.

MOUNTING THE MOTOR

See Figure 14.

- Turn the cabinet upside down and place one 4 x 4 block under the right side of the cabinet so the base is tilted as shown. This will elevate the motor mount so it is level with the floor making assembly easier.
- Locate the following:
 - Carriage Head Bolts (4), 5/16-18 x 1/2 in.
 - Serrated Flange Hex Nuts (4), 5/16 in.
 - Motor and Switch Assembly (1)

NOTE: This motor is heavy; additional help may be needed to secure nuts and bolts in place.

- Place the motor on the motor mount as shown. Make sure the motor shaft faces the rear of the cabinet (away from the side with RIDGID label).
- Bolt the motor to the motor mount using the 5/16 in. carriage head bolts and 5/16 in. serrated flange hex nuts. The bolts should be placed through the motor mount into the motor bracket as shown. Do not tighten the nuts at this time.

NOTE: Do not assemble the switch at this time or thread cord through cabinet.

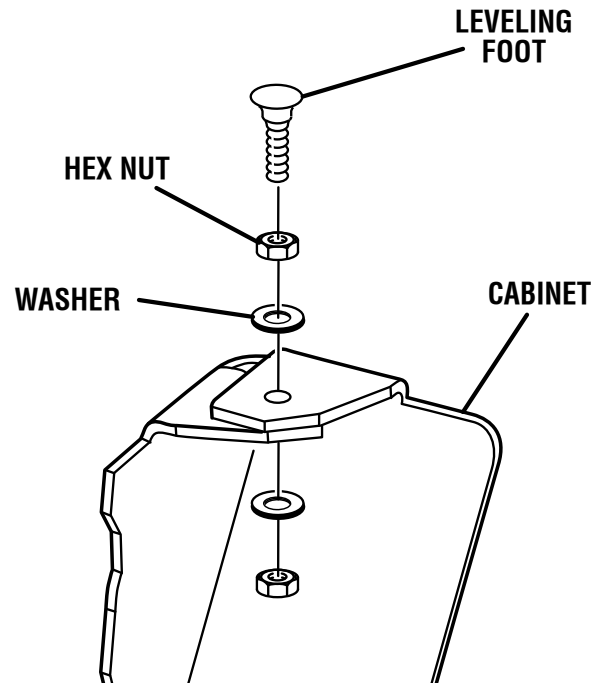


Fig. 13

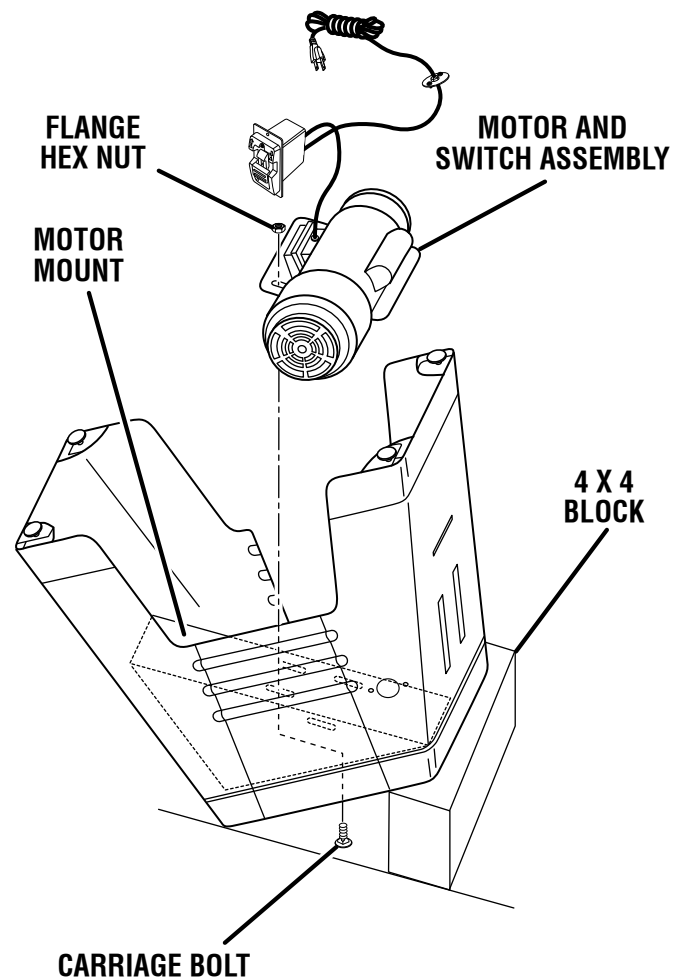


Fig. 14

ASSEMBLY

ASSEMBLING JOINTER TABLE TO CABINET

See Figures 15 - 16.

WARNING:

This tool is heavy. To avoid back injury, lift with your legs, not your back, and get help when needed.

- With help place the bed assembly upside down on two blocks as shown.
- Place the cabinet on top of the bed assembly as shown.
- Locate the following:
Serrated Hex Head Bolts (3), 3/8-16 x 3/4 in.
- Line up the holes in jointer table with the holes in the cabinet.
- Bolt the jointer table to the cabinet using hex head bolts and tighten all the bolts. To access third bolt, reach into dust collection port on left side.

ASSEMBLING SWITCH

See Figure 17.

- Locate the following:
Switch Key (1)
Screws (2), 3/16 in.
- Using 3/16 in. screws, mount the switch into place as shown. Make sure the switch is right side up.
- Install switch key into switch.

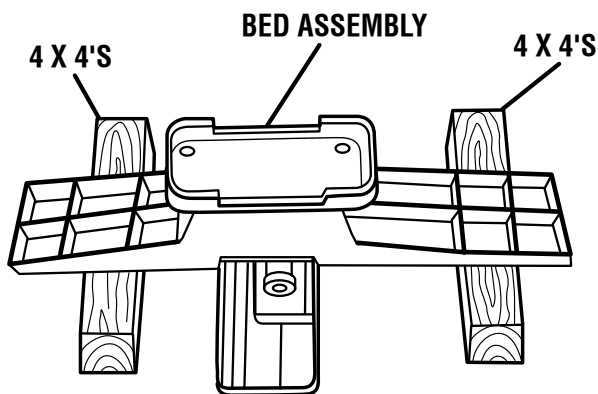


Fig. 15

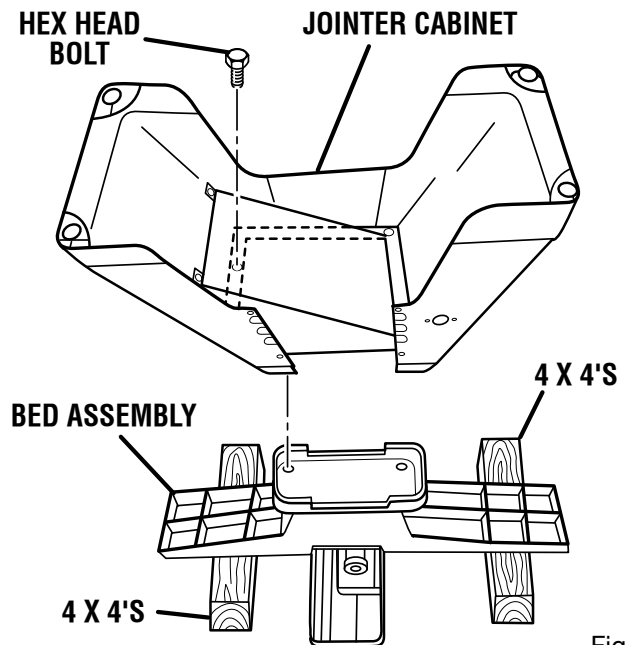


Fig. 16

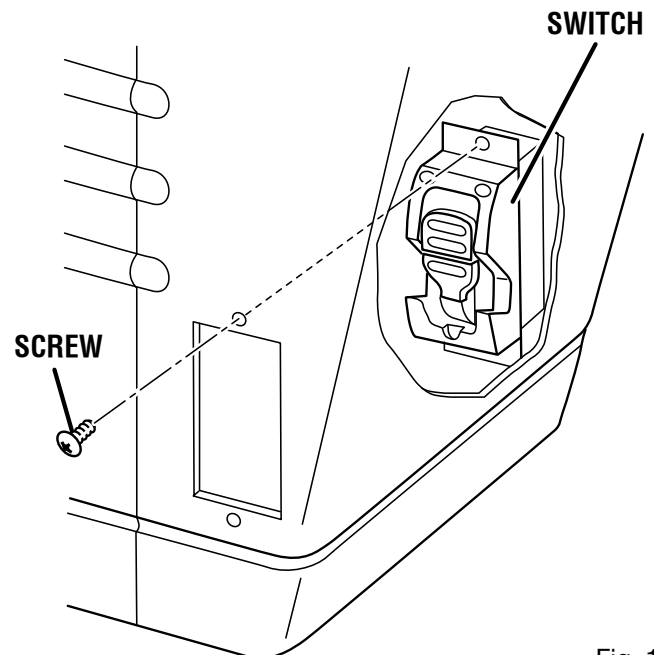


Fig. 17

ASSEMBLY

ASSEMBLING REAR PANEL

See Figure 18.

- Locate the following:
Carriage Head Bolts (6), 5/16-18 x 1/2 in.
Hex Nuts Serrated Flange (6), 5/16 in.
Rear Cabinet Panel (1)

NOTE: Tabs on rear panel must be on the inside of side panels prior to securing with nuts and bolts.

- Position the rear panel in place from the bottom of the cabinet as shown. Bolt in place using 5/16 in. carriage head bolts and 5/16 in. flange nuts. Make sure the rear panel's tabs are on the inside of the cabinet. Tighten the nuts.
- Thread the power cord through the hole in the rear of the cabinet.
- Remove the screws and washers from the cable plate.
- Thread the power cord through the hole from the inside of the cabinet until the cord plate reaches the cabinet.
- Reinstall the washers and screws from the outside of the cabinet with the cord plate flush against the inside of cabinet. Retighten screws.

NOTE: Securely tighten all cabinet nuts and bolts as well as jointer table mounting bolts at this time.

ASSEMBLING AND TENSIONING BELT

See Figure 19.

- Locate the V-belt.
- Slip the V-belt over both the motor and cutter head pulleys.
- While the jointer is still upside down, slide the motor up the motor mount to put tension on the V-belt. This will require assistance. Once the V-belt has been tensioned, tighten the motor bolts. The V-belt should have approximately 1 in. deflection (the measurement of how much you can push in on one side of the V-belt).

NOTE: An alternate method for tensioning the V-belt is to turn the unit upright, letting the motor slide down in the slots and allowing the weight of the motor only to tension the V-belt.

- Visually check the front to back alignment of the pulleys and adjust the motor as needed.

ASSEMBLING THE PULLEY GUARD

See Figure 20.

- Locate the following:
Cross Serrated Pan Head Screws (4), 3/16-24 x 3/8 in.
Pulley guard (1)
- With assistance, set the jointer upright.

WARNING:

This tool is heavy. To avoid back injury, lift with your legs, not your back, and get help when needed.

- Mount the pulley guard in place as shown using 3/16 in. screws.

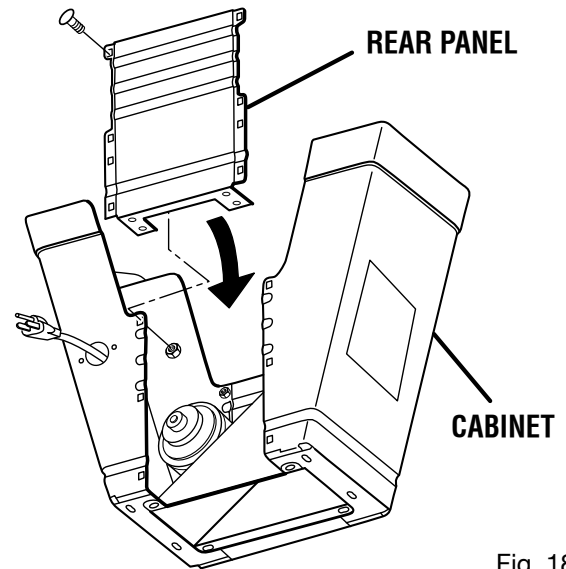


Fig. 18

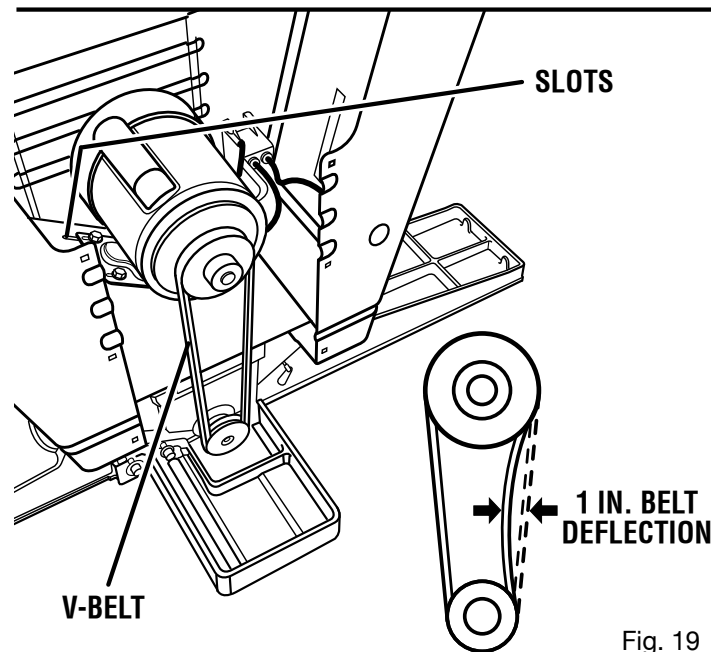


Fig. 19

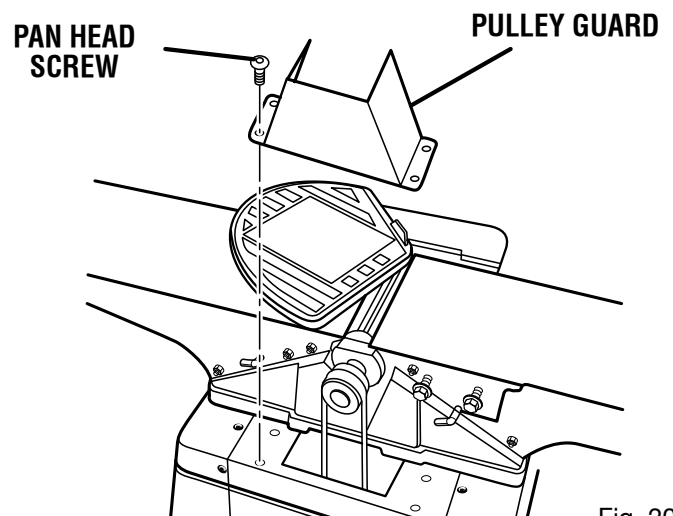


Fig. 20

ASSEMBLY

ASSEMBLING HANDWHEEL

See Figure 21.

- Locate the following:
Pan Head Screw with Washer (1), 1/4-20 x 5/8 in.
Handwheel (1)
- Slip the handwheel onto the infeed table elevation shaft and install the pan head screw with washer as shown.

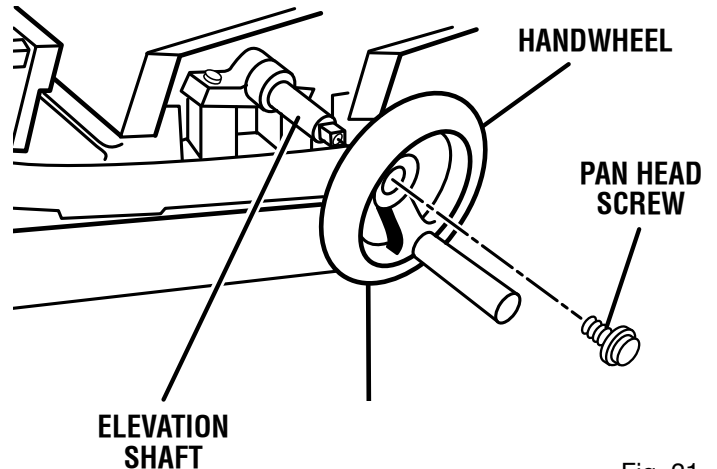


Fig. 21

ASSEMBLING DUST CHUTE

See Figure 22.

- Locate the following:
Sawdust Chute (1)
Wing Screws (2), 1/4-20 x 1/2 in.
Wrench Box (1), 8mm/10mm
Hex Key (1), 3mm
- Slide the tab on the bottom side of the dust chute into the slot just below the chute on the left side of the base. Fasten the dust chute on with wing screws through the slots on both sides of the dust chute.
- The hex key and open end wrench (supplied with the jointer) used for knife adjustments, can be conveniently stored in the dust chute as shown.

NOTE: If a dust collection system is not in use, simply loosen the wing screws, lift the bottom of the chute up, out, and then slide the dust chute up and retighten the wing screws.

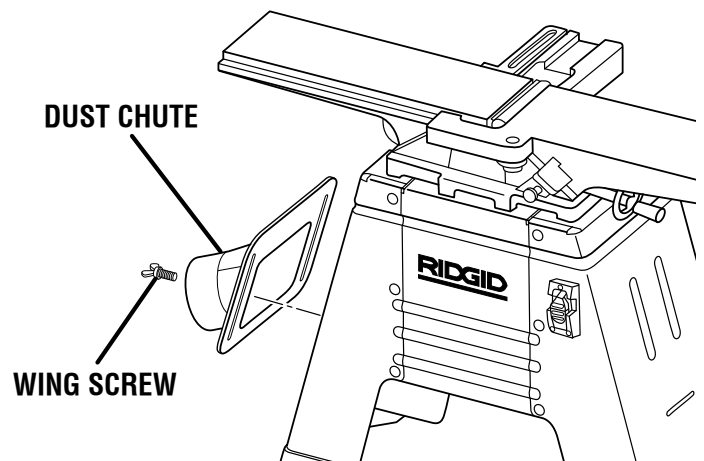


Fig. 22

ASSEMBLING FENCE ASSEMBLY TO BED ASSEMBLY

See Figure 23.

- Locate the following:
Washer (1), 1/2 in.
T-Nut (1)
Fence Assembly (1)
Fence Lock Knob (1)
Fence Tilt Knob (1)

NOTE: While installing the fence, the two ribs on top of the fence indicate where the cutter head opening is located in the table.

NOTE: While installing fence to table, do not remove the protective cutter guard covering.

- Position fence onto fence support as shown, making sure the keyway in fence assembly lines up with the key on the fence mount.
- Once fence is in place, slide the fence lock knob through the 1/2 in. washer and then through the fence assembly and fence mount. Thread T-nut onto the end of the lock knob. Make sure the tabs on the nut sit in the slot on the fence mount.

NOTE: Tabs on T-nut must be positioned upwards so they fit in slot.

- Slide the fence back and fourth to make sure it moves freely. Then lock in place.
- Thread the fence tilt knob into the fence.

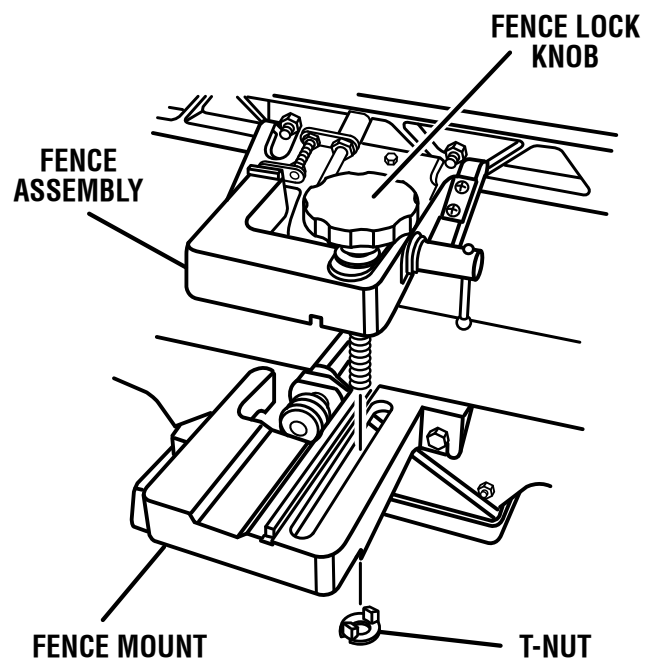


Fig. 23

ASSEMBLY

ASSEMBLING CUTTER GUARD

See Figure 24.

- Locate the following:
Cutter Guard Assembly (1)
- Remove the pan head screw from the bottom of the cutter head guard post.
- Turn the spring-loaded knob one turn counterclockwise, while looking down through the hole in the infeed table.
- While looking down through the hole in the infeed table, align the slot in the guard post with the spring in the knob. Slide the post through infeed table and over the spring in the knob.

NOTE: The cutter guard stop post limits the amount of cutter guard travel. Never modify the stop post or remove cutter guard before any operation.

- Reinstall the pan head screw in the bottom of the guard post.

CUTTER GUARD FUNCTIONAL CHECK

With the power off, check the guard to make sure it is functioning properly.

WARNING:

Cutter guard helps provide protection over the cutter head. It must always be in place and functioning properly to avoid injury from contact with the cutter head.

- Position the fence to the rear of the bed for maximum width of cut. Do not position fence beyond rear edge of cutter knives.
- Pass a 1/4 in. thick piece of wood over the cutter head between the guard and the fence.

The guard must return automatically to a “rest position” against the fence when free of the wood. If guard does not return quickly, adjust the guard spring, as described in the adjustments section.

CUTTER GUARD STOP POST

The cutter guard stop post is designed to limit the outward swing of the cutter head guard. If the stop post does not stop the outward swing of the guard, the post is inserted too deeply. Tap the cutter guard stop post from up under the table with a punch or nail set. Tap the post slightly to adjust for proper clearance and function.

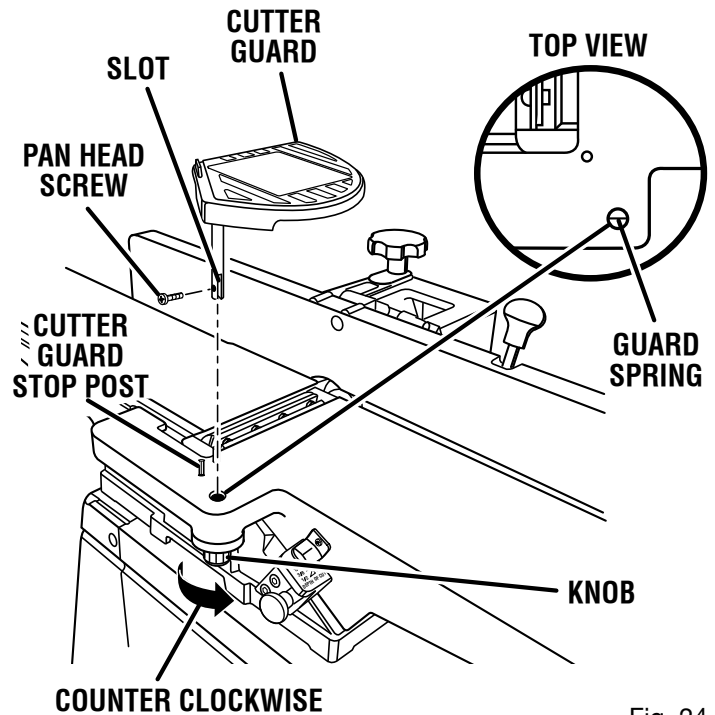


Fig. 24

OPERATION

WARNING:

Do not allow familiarity with tools to make you careless. Remember that a careless fraction of a second is sufficient to inflict severe injury.

WARNING:

Always wear safety goggles or safety glasses with side shields when operating tools. Failure to do so could result in objects being thrown into your eyes, resulting in possible serious injury.

APPLICATIONS

You may use this tool for the purposes listed below:

- This jointer/planer is intended to be used on wood only
- Jointing/Planing
- Rabbeting
- Beveling/Chamfering

BASIC OPERATION OF THE JOINTER/PLANER

The jointer/planer allows the operator to make long, even passes. It is used on the long thin edges of boards that will be joined edge to edge. This smoothing process eliminates possible spaces between the two boards when they are placed side by side. Use this tool to prepare and finish cut stock for more precise project work. Wood is sized or smoothed by being passed along a rotating cutter head. The jointer flattens boards that are slightly warped and squares edges of lumber. The planer is used to smooth surfaces or reduce wood faces.

CAUSES OF KICKBACK

Kickback can occur when the workpiece is not properly fed into the cutter head, kicking the workpiece back toward you with great force and speed. If your hands are near the knives, they may be jerked loose from the workpiece and may contact the cutter head. Kickback can cause serious injury, and it is well worth using precautions to avoid the risks.

- Making a cut with excessive depth of cut
- Performing operations into knots or nails in the workpiece
- Twisting the wood while making a cut
- Failing to support work
- Forcing a cut
- Cutting warped or wet lumber
- Wrong way feed
- Not following correct operating procedures
- Cutting with dull, gummed-up, or improperly set knives.

AVOIDING KICKBACK

- Use push blocks or push sticks whenever possible.
- Always support long workpieces.

- Always hold your workpiece firmly with both hands or with push sticks or push blocks. Keep your body in a balanced position to be ready to resist kickback should it occur. Never stand directly in line with the cutter head.
- Always use clean, sharp, and properly-set knives. Never make cuts with dull knives.
- Support the work properly before beginning a cut.
- When making a cut, use steady, even pressure. Never force cuts.
- Do not cut wet or warped lumber.
- Adjust the depth of cut to between 1/32 and 1/16 of an inch for best results in most operations. A deep cut makes feeding the wood harder and can cause the wood to kickback. To be sure you will make the depth of cut you planned, always lower the infeed table slightly farther than you wanted then, raise the table to the desired depth.
- Complete the cut without stopping or backing up the workpiece.

LOCKING THE ON/OFF SWITCH

See Figure 25.

- To turn the saw ON (I), lift the switch button.
- To turn saw OFF (O), press the switch button down.
- Remove the switch key from the switch assembly. Store key in a safe place.

BEFORE LEAVING THE JOINTER/PLANER

- Place the switch in the OFF (O) position. Wait until the jointer/planer has come to a full and complete stop.
- Remove the switch key from the switch assembly. Store key in a safe place.
- Unplug the jointer/planer from the power source.
- Make workshop childproof.
- Lock the shop.

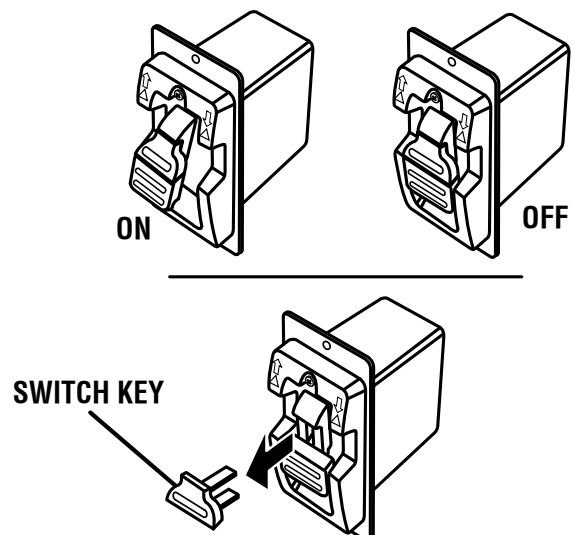


Fig. 25

OPERATION

USING CUTTING AIDS

See Figure 26.

Push sticks are devices used for safely pushing a workpiece through the cutter head instead of using your hands. They can be made in various sizes and shapes from scrap wood to use in a specific project. The stick must be narrower than the workpiece, with a 90° notch in one end and shaping for a grip on the other end.

A push block has a handle fastened by recessed screws from the underside. Use it on non-through cuts.

USING THE PUSH BLOCKS/PUSH STICKS

See Figure 27.

Always use the push blocks/push stick whenever possible when jointing or rabbeting wood. Push blocks must be used when planing.

Grasp the push sticks/push blocks firmly with the fingers close together and wrapped around the handle. Position the push blocks/push stick flat on top of workpiece and push the workpiece down against the table. This helps to provide a quality cut and minimize the chance of a kickback.

Hold-down pressure must also be sufficient to prevent push block/push stick from sliding or slipping on the top face of workpiece when advancing workpiece over cutter head.

Use a hand-over-hand motion of the push blocks/push stick, being careful to maintain control over the workpiece at all times. This means that once the workpiece has been fed past the cutter head onto the outfeed table, one push stick/push block must always maintain contact with the workpiece on the outfeed table.

WARNING:

To prevent ant tendency of the push blocks to slip while feeding, clean rubber surface as needed with sandpaper. Any slippage of the push block could result in serious personal injury.

WARNING:

Never pass either hand over the cutter head during any operation. Failure to heed this warning could result in serious personal injury.

Never plane wood that is thinner than 3/4 in. It is apt to split or shatter and thus has a greater tendency to kickback. Wood thinner than 3/4 in. will slide under the cutter guard and could be trapped.

CAUTION:

Before turning switch "ON," make sure the cutter guard is correctly installed and operating properly and the cutter guard stop post is limiting the travel of the cutter guard.

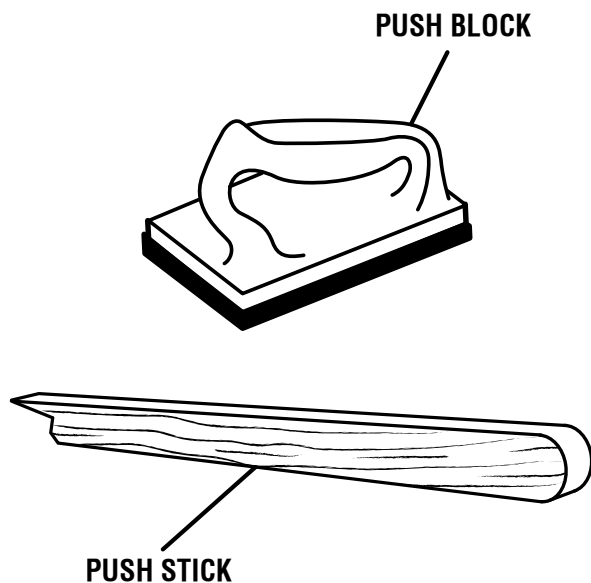


Fig. 26

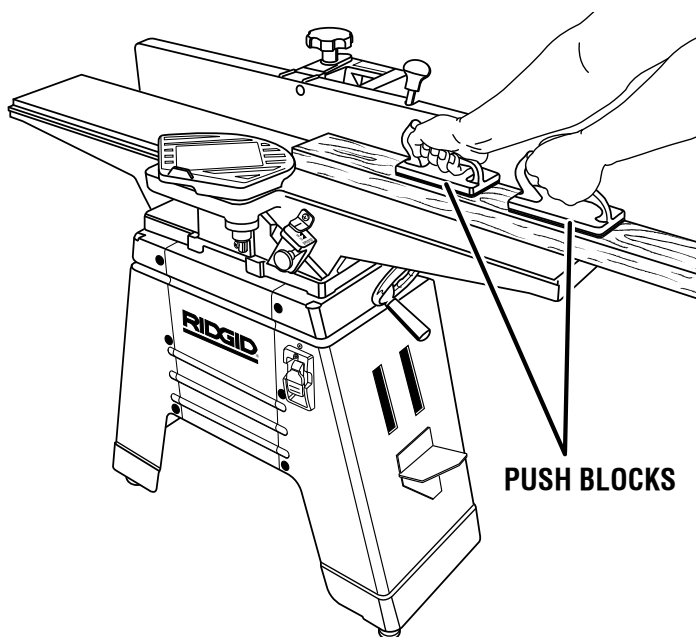


Fig. 27

OPERATION

DEPTH OF CUT HANDWHEEL OPERATION

See Figure 28.

Turning the handwheel clockwise will lower the infeed table. This will cause more wood to be removed from the workpiece during the cutting operation.

Turning the handwheel counterclockwise will raise the infeed table, causing less wood to be removed from the workpiece.

The maximum amount of wood that can be removed during one cut is 1/8 in.

STOP PIN OPERATION

See Figure 29.

A stop pin is supplied to prevent planing or jointing more than 1/8 in. depth of cut. Planing and jointing operations greater than 1/8 in. per pass are not recommended. Rabbeting operations greater than 1/8 in. can be performed by pulling the stop pin out and lowering the infeed table in 1/8 in. increments. The pin automatically resets when you return to the 0 in. to 1/8 in. depth of cut range. Never cut a full 1/2 in. rabbet in one cut. Cut in 1/8 in. depth increments until your full depth is acquired.

WARNING:

To avoid serious personal injury never make a rabbet cut deeper than 1/2 in.

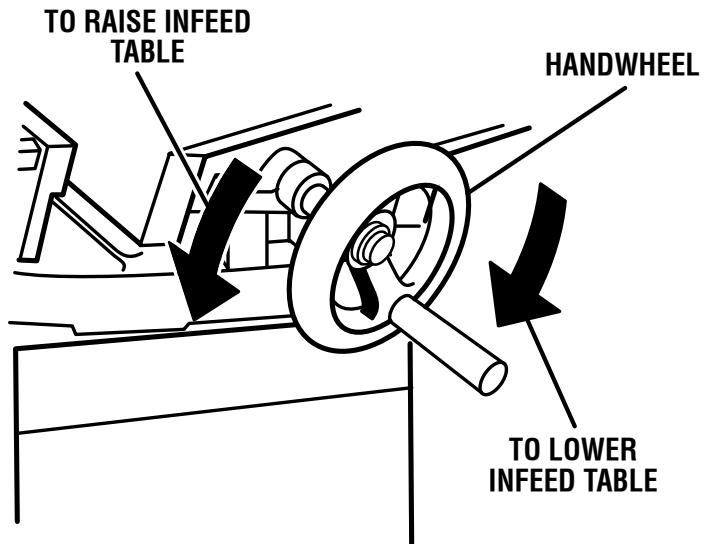


Fig. 28

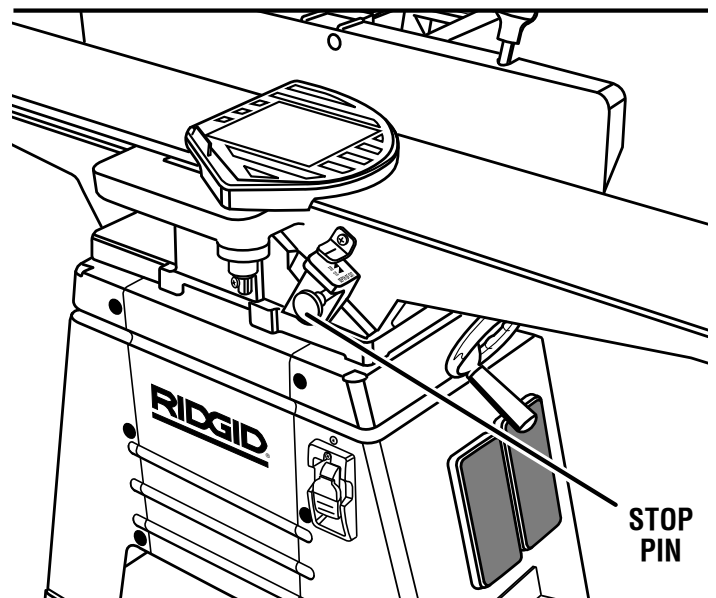


Fig. 29

OPERATION

FEEDING THE WORKPIECE TO PERFORM PLANING OR JOINTING OPERATIONS

See Figures 30 - 31.

Before planing or jointing make sure the knives are properly installed and the lock screws are tight. Make sure the clamps and locks are tight and there is no play in any parts.

WARNING:

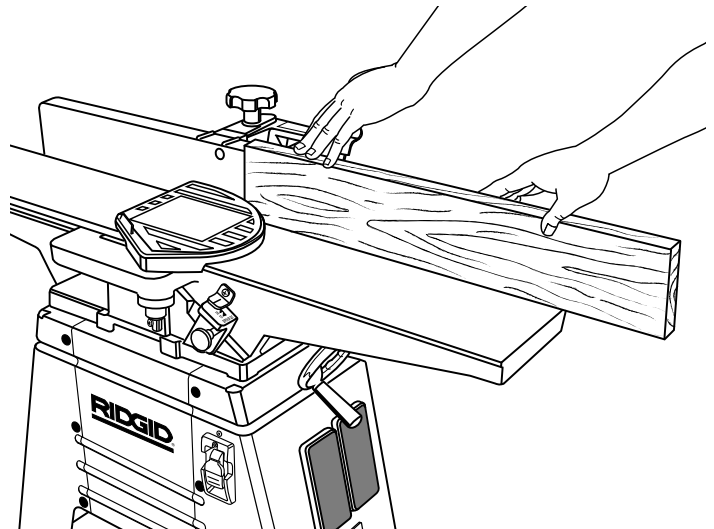
Test for workpiece stability with and without the push blocks before turning the jointer/planer on. Failure to do so could result in kickback of workpiece and could cause serious personal injury.

- Support long workpieces at both infeed table and outfeed table.
- Adjust the depth of cut to between 1/32 in. - 1/16 in. for best results in most operations. A deep cut makes feeding the wood harder and can cause the wood to kickback. To be sure you will make a depth of cut you planned, always lower the infeed table slightly farther than you wanted. Then, raise the table to the desired depth.
- Feed with grain whenever possible. When necessary to feed against grain, take very light cuts and feed slowly to minimize workpiece splintering, breakage or dangerous kickback.
- Keep steady pressure down on workpiece and keep workpiece pressed firmly against fence.
- As leading edge of board passes by cutter head, slightly shift pressure to above cutter head and outfeed table, away from infeed table. Keep pressure at outfeed table and near cutter head for remainder of cut.
- Use hand-over-hand motion, releasing forward hand and moving it to rear, to continue feeding workpiece.

NOTE: Plan your hand placement so your fingers will not be anywhere a sudden slip could cause them to slide or fall into the cutter head. When using only one push stick/push block to feed the wood, do not put your other hand on the jointer/planer, workpiece, or push block/push stick.

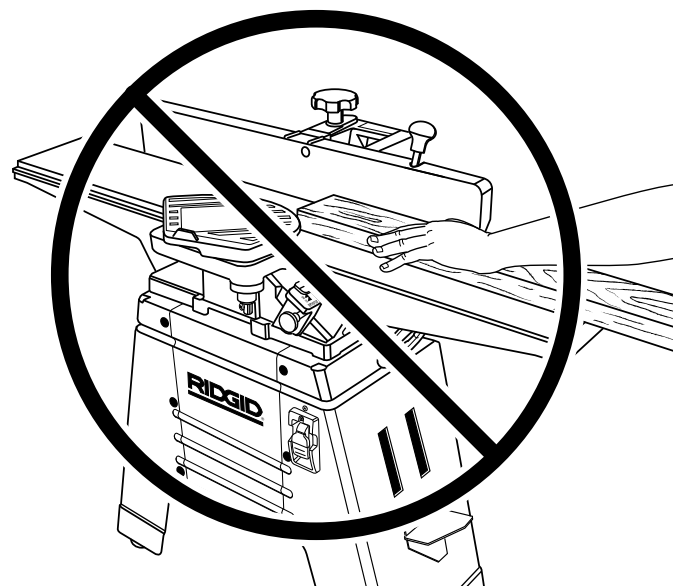
- Feed the board at a continuous rate until the cut is made along the entire length of the board. Any hesitation or stopping could cause a “snipe” on the edge of the board, resulting in an uneven edge as the cut is completed.

NOTE: If it is difficult to maintain steady rate, table or fence may need waxing.



RIGHT

Fig. 30



WRONG

Fig. 31

OPERATION

PLANING

See Figure 32.

Planing is removing wood from the widest surface or face of a board so as to make it flat and smooth.

Planing on a jointer will not necessarily make the face that is planed square or parallel to any other surface. Planing on a jointer only smooths and flattens. If you are planing and jointing a board, the planing operation should be performed first. This allows the jointed edge to be cut square to the face which was previously planed flat and smooth.

JOINTING

See Figure 33.

Jointing is the removal of wood along the edge of a piece of wood so as to make that edge straight, smooth and square to the wood face which is against the fence. To ensure a square cut, the workpiece face must be held flat against the fence throughout the entire cut.

BEVELING/CHAMFERING

See Figure 34.

WARNING:

Always use push blocks when beveling or chamfering. Failure to heed this warning could result in serious personal injury.

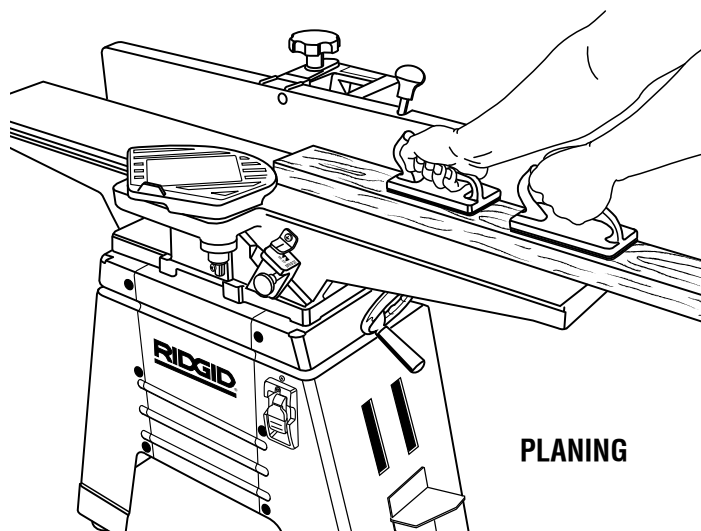
- Adjust fence to desired angle. Lock fence in position using fence tilt knob and fence sliding knob.
- Make a test pass to assure you have control of the workpiece.

NOTE: Removing only the corner on the edge of a board is known as chamfering while beveling is removing the corner or the edge of the board down to the board's surface.

Normally a chamfer is made with one cut and only the corner of the wood is cut off. Therefore, a cut deeper than 1/16 in. may be made.

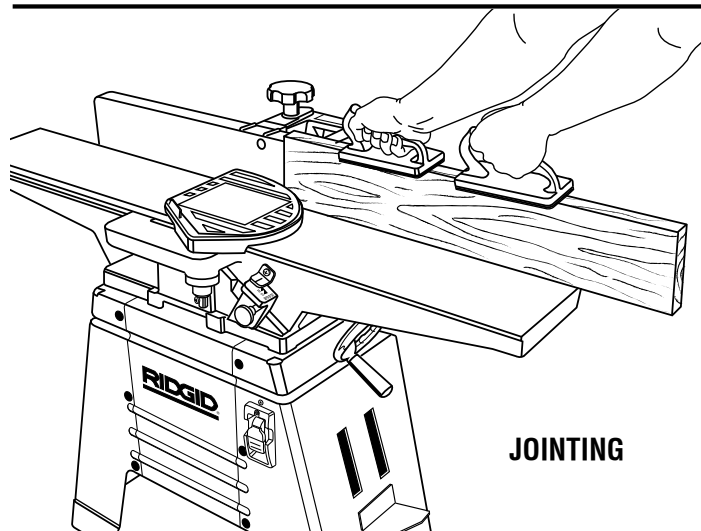
WARNING:

Do not contact the cutting knives or the guard with the push blocks. Failure to heed this warning could result in serious personal injury.



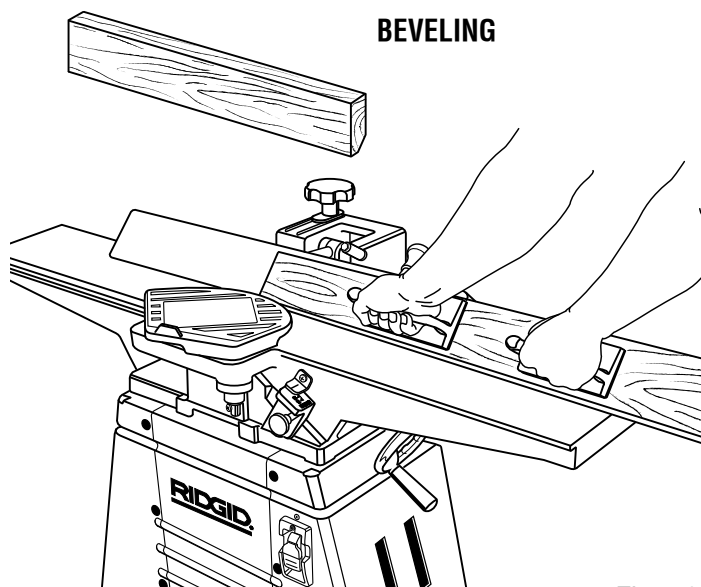
PLANING

Fig. 32



JOINTING

Fig. 33



BEVELING

Fig. 34

OPERATION

USING FENCE TILT AND BEVEL STOP

See Figure 35.

WARNING:

To reduce the risk of injury from accidental start, make sure switch is OFF (O) and plug is not connected to power source outlet.

This tool provides bevel stops at 90°, 45°, and 135°.

These bevel stops are set at the factory, but should be checked for squareness.

To check for squareness:

- Place the included angle gauge on the outfeed table and check fence while locked in the 90° position.

NOTE: To ensure accuracy and repeatability of the stops, the bottom of the outfeed side of the fence should rest firmly against the outfeed table and against the head of the stop screw. Make sure that the infeed table does not interfere with the accuracy of measurement.

The infeed table should be lowered to a depth of at least 1/16 in. Using the stops, check the fence for accuracy. If the fence is not square to the outfeed table at 90°, 45°, or 135°, perform the following procedure:

SETTING THE FENCE FOR A 90° BEVEL STOP

See Figure 36.

- Loosen bevel lock handle.
- Make sure fence is tight against the stop and check the angle using the included angle gauge.
- Loosen the jam nut on the 90° stop screw.
- Using the angle gauge, square the fence to the outfeed table and tighten the bevel lock handle.
- Turn the stop screw so it touches the stop. Tighten the jam nut.
- Loosen the bevel lock handle.
- Move the fence to any angle and then return it to the 90° stop. Check for accuracy with angle adjustment gauge.

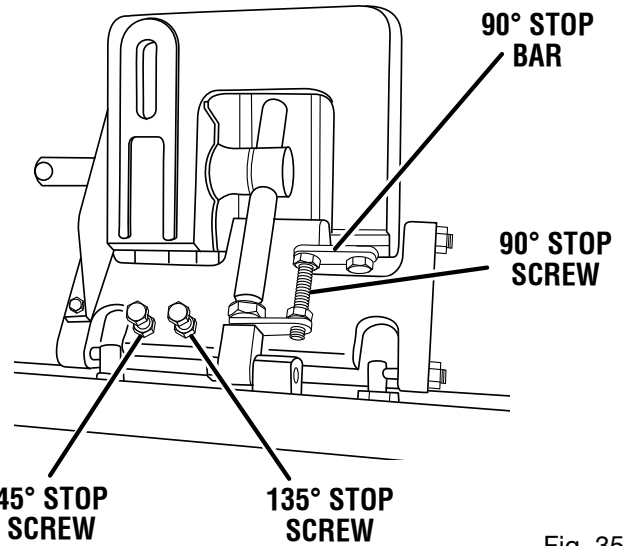


Fig. 35

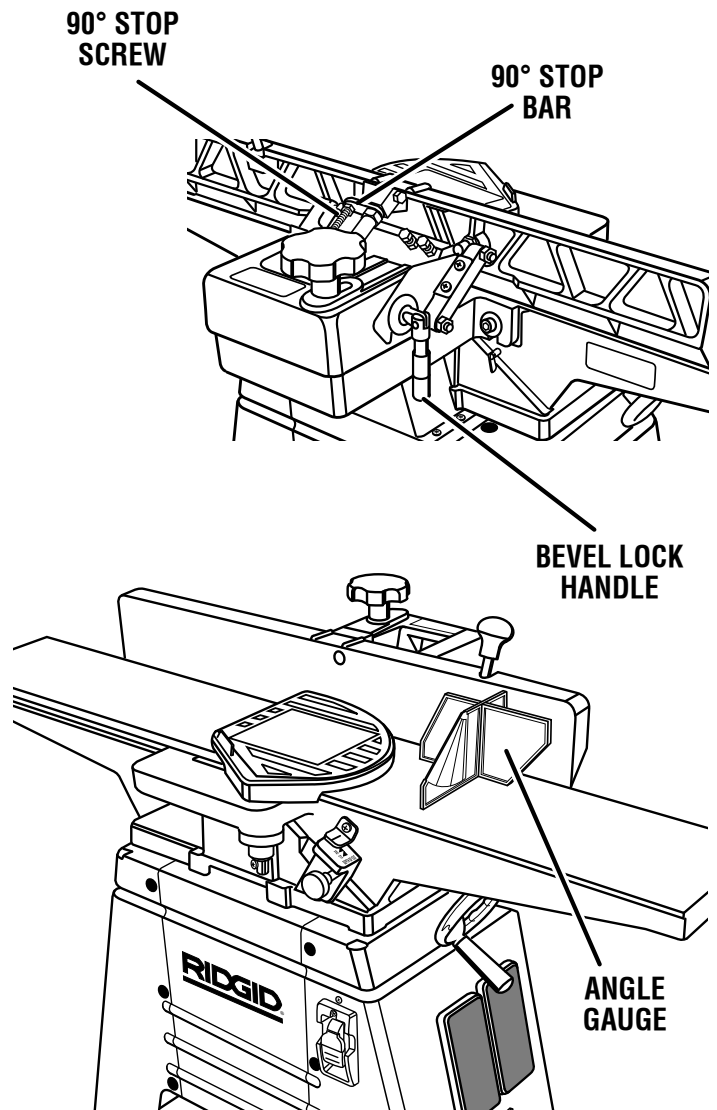


Fig. 36

OPERATION

SETTING THE FENCE FOR A 135° BEVEL STOP

See Figure 37.

- Loosen bevel lock handle.
- Flip the 90° stop bar out of the way and move the fence until it contacts the 135° stop.
- Make sure fence is tight against the stop and check the angle using the included angle gauge.
- Using the angle gauge, set the fence at 135° to the outfeed table and tighten the bevel lock handle.
- Loosen the jam nut on the 135° stop screw.
- Turn the stop screw so it touches the stop. Tighten the jam nut.
- Loosen the bevel lock knob.
- Move the fence to any angle and then return it to the index. Check for accuracy with the angle gauge.

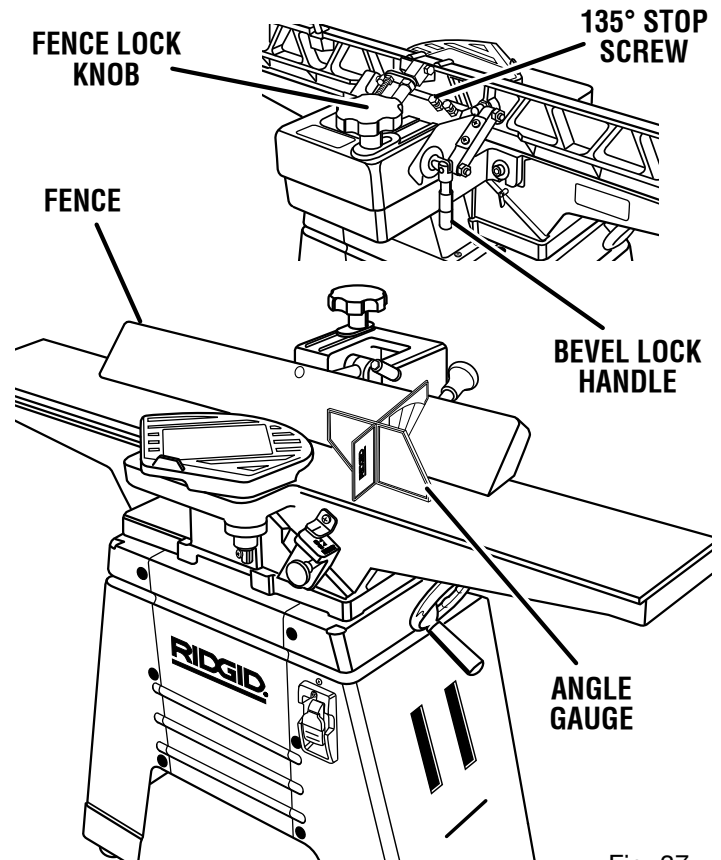


Fig. 37

OPERATION

MAKING A RABBET CUT

See Figure 38.

Rabbeting is very similar to jointing except that only part of the edge is jointed.

WARNING:

Never remove the cutter head guard when performing any operation. Failure to heed this warning could result in serious personal injury.

- Hold the workpiece firmly against the fence. Do not make cuts greater than 1/8 in.
- To make a deeper rabbet, make cuts in 1/8 in. deep increments. Because the workpiece is supported by the outfeed table during a rabbet cut, the infeed table must be lowered after each pass.

SLIDING FENCE OPERATION

See Figure 39.

WARNING:

Moving parts can injure. Turn jointer/planer off and wait for all parts to stop, before adjusting fence. Failure to do so could cause serious personal injury from contact with cutter or other moving parts.

When you are not cutting at full width of cut, the fence can be moved across the jointer/planer to take full advantage of the “sharpness” of the knives.

When knives are new or freshly sharpened the fence should be positioned to the extreme rear of outfeed and infeed tables but not beyond the end of the knives.

Most of the cutting (usually jointing) will be done with the fence in this position. As the knives become dull, the fence can be moved toward the guard where the knives are sharper.

To move the fence, turn jointer/planer off, loosen sliding fence knob, and slide the fence to the desired position.

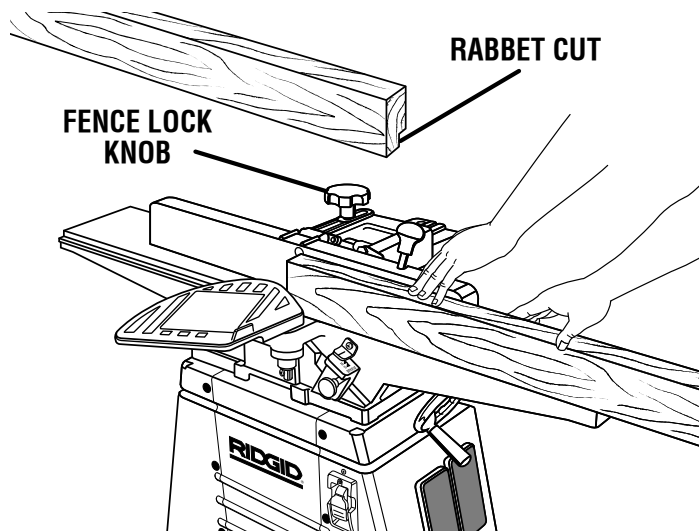


Fig. 38

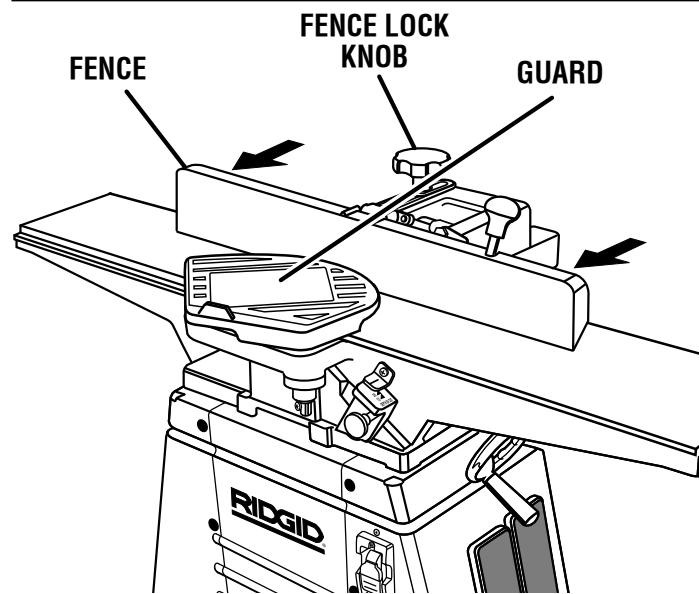


Fig. 39

ADJUSTMENTS

⚠ WARNING:

Before performing any adjustment, make sure the tool is unplugged from the power supply and the switch is in the OFF (O) position. Failure to heed this warning could result in serious personal injury.

ALIGNING AND ADJUSTING CUTTER KNIVES

See Figures 40 - 41.

The knives are adjusted at the factory, and should not require adjustment. If, after time the knives come out of alignment follow, the steps below to realign.

⚠ WARNING:

The cutter knives are extremely sharp. Do not let your hand or fingers touch the cutter knives. Failure to heed this warning could result in serious personal injury.

- Unplug jointer/planer.

Checking Alignment:

- Lower infeed table by turning the depth of the cut handwheel clockwise.
- Position the fence to the rear of the jointer, approximately 1/4 in. beyond the end of the cutter knives. Lock the fence in this position.
- Remove cutter head guard.
- Place a straight edge on the outfeed table, extending over the cutter head as shown.
- Adjust the outfeed table so that the straight edge just touches one of the knives as the cutter head is turned. Check one side of the knife, then move the straight edge and check the other side of the knife. If the knife lifts the straight edge or does not touch it, readjust the knife as necessary (see procedure below). Check all three knives this same way.

Knife Adjustment:

- Loosen knife lock screws using the 8mm wrench, turning the wrench toward the fence. Remove all the parts and clean thoroughly with a gum and paste remover. Reinstall parts as shown, making sure the knife extends 1/16 in. past the cutter head as shown.
- Place a straight edge on the outfeed table, extending over the cutter head as shown. Position the straight edge over the end of one of the knives closest to the fence.
- Rotate the cutter head so the knife that is being adjusted is at the highest point.
- Adjust the jackscrew nearest to the straight edge so that the knife just touches the straight edge as the cutter head is rotated and there is no gap between the outfeed table and the straight edge.

- Move the straight edge to the other end of the cutter head and repeat above step with the second jackscrew.
- Tighten the knife lock screws.
- Repeat knife adjustment process for the other two knives.

NOTE: Turn the cutter head two full revolutions to make sure the cutter head turns freely and the knives clear the jointer bed.

- Quickly recheck all three knives with the straight edge to ensure all knives are even and square.

NOTE: Please refer to figure 40 when reinstalling knives.

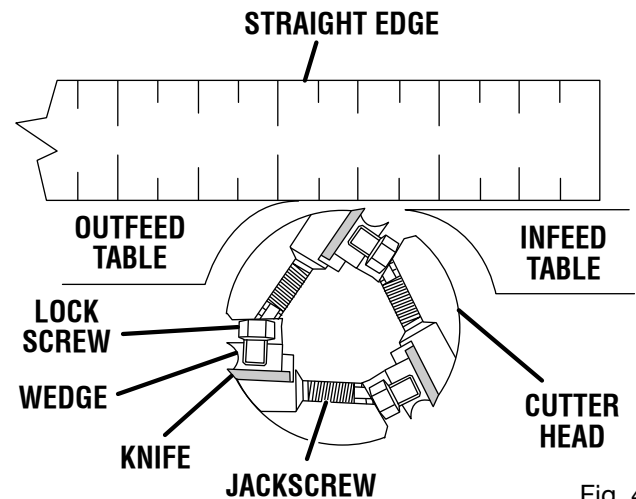


Fig. 40

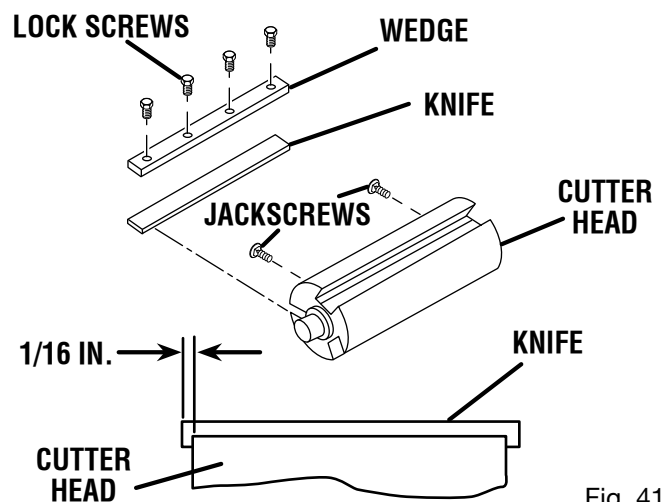


Fig. 41

ADJUSTMENTS

OUTFEED TABLE ADJUSTMENT

To check this alignment proceed as follows:

See Figure 42.

⚠ WARNING:

To reduce the risk of injury from accidental start, make sure switch is OFF (O) and plug is not connected to power source outlet.

NOTE: The outfeed table is adjusted at the factory and should not require adjustment.

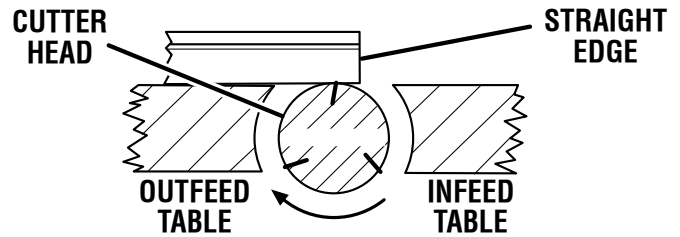
- Place a straight edge on the outfeed table, extending over the cutter head as shown.
- Rotate the cutter head by hand. The knives should just touch the straight edge. If a knife is too low or too high at either end, readjust knife.
- If outfeed table needs adjustment, loosen wing screw table locks. Raise or lower the outfeed table as required by turning the outfeed table knob, until the outfeed table is exactly level with the knives of the cutter head at their highest point of revolution.
- After the outfeed table has been set at the correct height, lock in place using wing screw table locks. It should not be changed except after sharpening knives.
- If the outfeed table is too high, finished surface will be curved as shown.
- When the outfeed table is too low, the work will be gouged at the end of the cut.
- As a final check of the outfeed table adjustment, run a piece of wood slowly over the knives for 6 to 8 in.; it should rest firmly on both tables, as shown, with no open space under the finished cut.

ADJUSTING TABLE GIBS

See Figure 43.

“Gibs” are provided to take up all play between the mating dovetail ways of the base and infeed and outfeed tables of your jointer. Proper gib adjustment is necessary for the correct functioning of the jointer. The gibs on your machine were adjusted at the factory and should require no further adjustment. However, to adjust the gibs, proceed as follows:

- Loosen each of the lock nuts. Make sure the table locks are also loose.
- Finger tighten each set screw in turn, until the screw “bottoms out.” Do not overtighten the screws.
- Recheck table play. If table is still loose, repeat above step. If table is snug, tighten the set screw lock nuts without allowing set screws to turn.
- Check that the table raises and lowers freely with the elevation handwheel. If there is too much resistance, loosen the set screws and repeat adjustment.



CHECKING OUTFEED TABLE ALIGNMENT

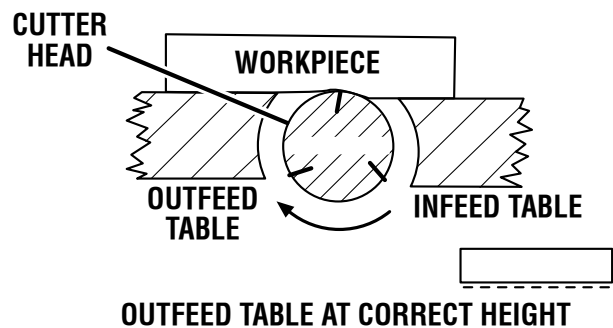
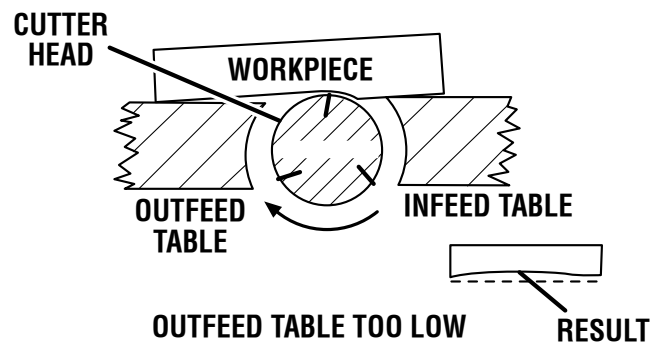
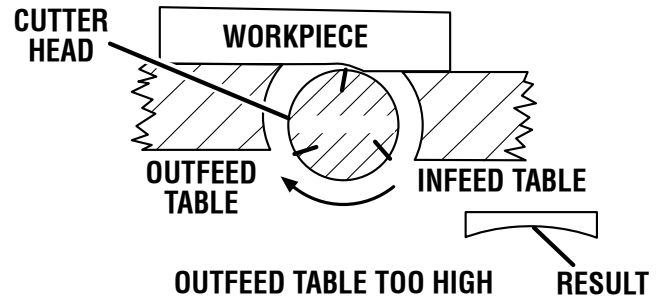


Fig. 42

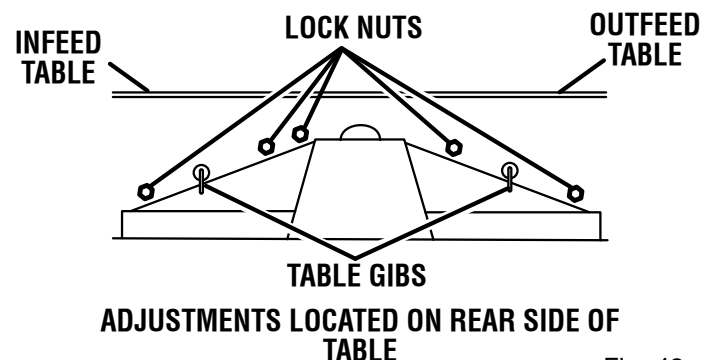


Fig. 43

ADJUSTMENTS

USING ANGLE GAUGE

See Figure 44.

An angle gauge is included with the RIDGID jointer to set the fence at the proper angle. To assemble the gauge slide the one side over the other at right angles to each other. The angle gauge has several faces for some of the more common angle settings. These angles include 90°, 45°, 30°, and 22.5°. There is also a 0°-45° protractor on one side to set the fence to an angle not provided. Simply set the gauge at the end of the fence on the outfeed table as shown and set the angle you need.

ADJUSTING TABLE EXTENSION

See Figure 45.

The table extension is adjusted at the factory and should not require any additional adjustments. In the event that it shifted during shipping, align it to the outfeed table as follows.

- Loosen the hex head screws that attach the extension to the outfeed table.
- Using a straight edge, align the extension to be flush with the outfeed table.
- Tighten the hex head screws and recheck the alignment.

ADJUSTING GUARD SPRING

See Figure 46.

- Remove the pan head screw from bottom of the cutter head guard post.

NOTE: The cutter guard stop post limits the amount of cutter guard travel. Never modify the stop post or remove cutter guard before any operation.

- Remove tension on cutter head guard by turning tension knob clockwise. Pull up on cutter head guard to remove.
- Add tension to the cutter head guard in 1/2 turn increments by turning the tension knob and reinserting the guard post.
- Repeat Cutter Head Guard Functional Check as previously described.

NOTE: Do not overtighten the spring. Overtightening may cause premature spring or guard breakage. If the guard or spring breaks or malfunctions, do not use the tool. Replace the defective parts before the tool is put back in service.

- When the adjustment is complete, reinstall the pan head screw in the bottom of the guard post.

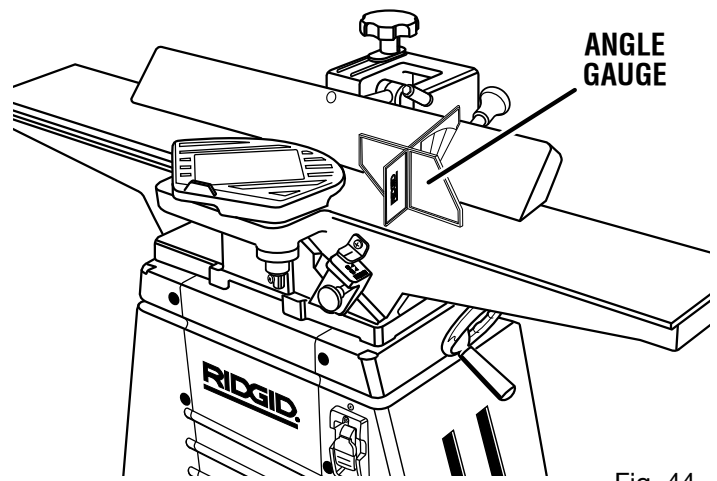


Fig. 44

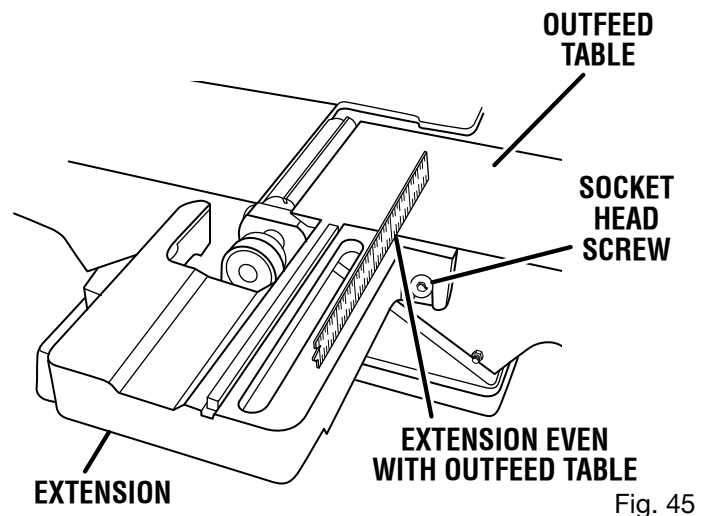


Fig. 45

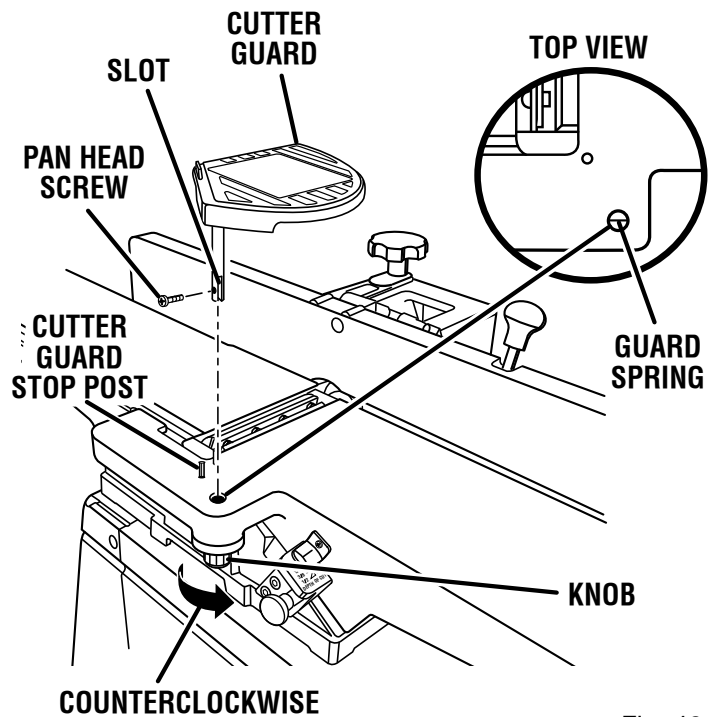


Fig. 46

MAINTENANCE

WARNING:

When servicing use only identical RIDGID replacement parts. Use of any other parts may create a hazard or cause product damage.

WARNING:

Always wear safety goggles or safety glasses with side shields during power tool operation or when blowing dust. If operation is dusty, also wear a dust mask.

GENERAL MAINTENANCE

Avoid using solvents when cleaning plastic parts. Most plastics are susceptible to damage from various types of commercial solvents and may be damaged by their use. Use clean cloths to remove dirt, dust, oil, grease, etc.

Do not allow pitch to accumulate on the tables, the fence, the cutter guard, the cutter head, or the knives. Clean them with an appropriate solvent.

Apply a thin coat of paste type wax to the tables and the fence so that the wood slides easily while feeding. This also deters rusting.

Do not allow chips to accumulate on the underside of the jointer/planer.

If power cord is worn, cut, or damaged in any way, have it replaced immediately.

Disassembly of the motor should only be done by an Authorized Service Center. Disregarding this may void your tool's warranty.

NOTE: The speed of this motor cannot be regulated or changed.

Motors used on woodworking tools are particularly susceptible to the accumulation of sawdust and wood chips and should be blown out or vacuumed frequently to prevent interference with normal motor ventilation.

WARNING:

Do not at any time let brake fluids, gasoline, petroleum-based products, penetrating oils, etc., come in contact with plastic parts. Chemicals can damage, weaken or destroy plastic which may result in serious personal injury.

Electric tools used on fiberglass material, wallboard, spackling compounds, or plaster are subject to accelerated wear and possible premature failure because the fiberglass chips and grindings are highly abrasive to bearings, brushes, commutators, etc. Consequently, we do not recommend using this tool for extended work on these types of materials. However, if you do work with any of these materials, it is extremely important to clean the tool using compressed air.

LUBRICATION

All of the bearings in this tool are lubricated with a sufficient amount of high grade lubricant for the life of the unit under normal operating conditions. Therefore, no further lubrication is required.

The following parts should be oiled occasionally with SAE No. 20 or No. 30 engine oil. See Figure 47.

- Dovetail spacer and dovetail slide.
- Elevation screw (first clean if necessary).

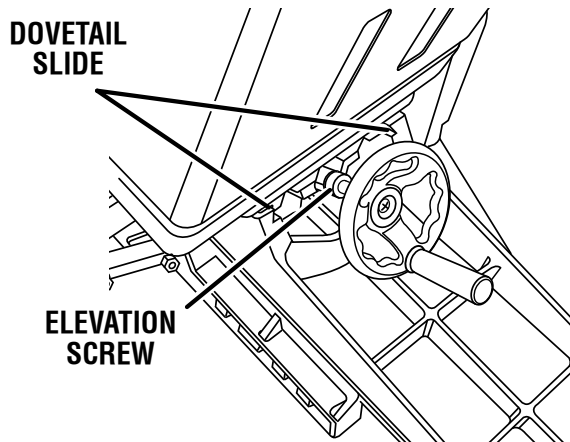


Fig. 47

MOTOR SAFETY PROTECTION

NOTE: To reduce the risk of motor damage, this motor should be blown out or vacuumed frequently to keep sawdust from interfering with normal motor ventilation.

- Connect this tool to a power source with the appropriate voltage for your model and a 15-amp branch circuit with a 15-amp time delay fuse or circuit breaker. Using the wrong size fuse can damage the motor.
- If the motor won't start, turn off the power switch immediately and unplug the tool. Check the cutter head to make sure it turns freely. If the cutter head is free, try to start the motor again. If the motor still does not start, refer to the "Motor Troubleshooting Chart."
- Fuses may "blow" or circuit breakers may trip frequently if:

If Motor is Overloaded-Overloading can occur if you feed too rapidly or make too many start/stops in a short time.

If line voltage is more than 10% above or below the nameplate voltage. For heavy loads, however, the voltage at motor terminals must equal the voltage specified for your model.

If improper or dull jointer knives are used.

- Most motor troubles may be traced to loose or incorrect connections, overload, low voltage (such as small size wire in the supply circuit) or to overly long supply circuit wire. Always check the connections, the load, and the supply circuit whenever motor doesn't work well. Check wire sizes and length with the Wire Size Chart.

MAINTENANCE

CUTTER KNIFE SHARPENING

See Figure 48.

The knives can be honed individually with an ordinary oilstone.

NOTE: Make sure your oilstone is not worn in the center. It must be flat.

Be sure to remove the burr on the flat side.

WARNING:

The cutter knives are extremely sharp. Do not let your hand or fingers touch the cutter knives. Failure to heed this warning could result in serious personal injury.

If the knives are nicked they must be replaced or reground. They can be reground several times until they become 9/16 in. wide. Never install unbalanced knives or reground knives less than 9/16 in. wide.

Have your knives reground by someone who is competent.

Look under "Sharpening Services" in the Yellow Pages of your telephone directory.

NOTE: The knives may have a second, very small ground surface very close to the sharpened edge of the knife.hone only the edge of the knife which will be doing the cutting.

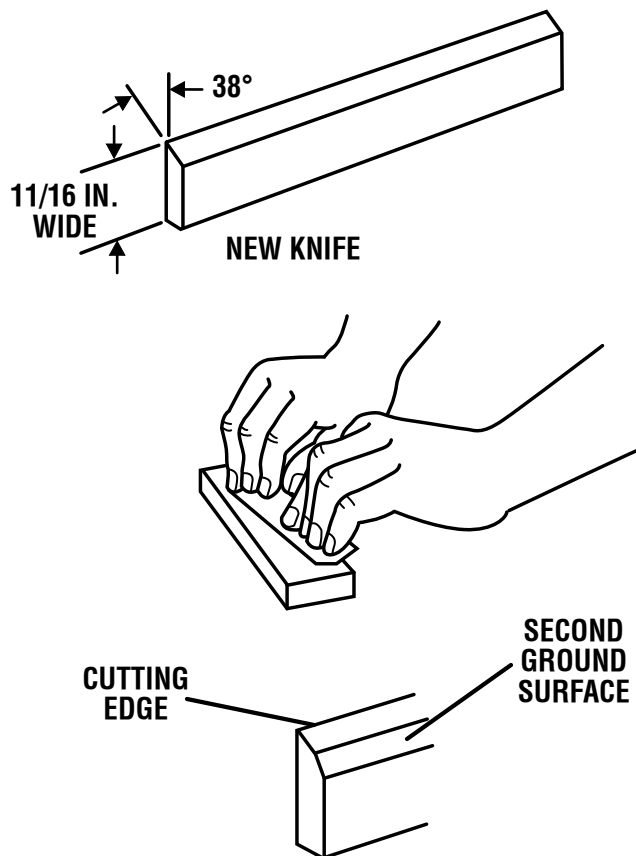


Fig. 48

ACCESSORIES

Look for these accessories at The Home Depot:

Jointer Knives.....	AC8600
Push Blocks	AC8601
Dust Collection Kit.....	AC8602

⚠ WARNING:
 Attachments and accessories available for use with this tool are listed above. Do not use any attachments or accessories not recommended by the manufacturer of this tool. The use of attachments or accessories not recommended can result in serious personal injury.

TROUBLESHOOTING

Problem	Cause	Solution
Motor will not run	1. Defective On-Off switch Defective capacitor Defective motor 2. Low line voltage 3. Belt tension too high	1. Consult an Authorized Service Center. Any attempt to repair this electrical device may create a hazard unless repair is done by a qualified service technician. Repair service is available at your nearest Authorized Service Center. 2. See “Troubleshooting (Motor)” section. 3. Adjust belt tension.
Wood strikes outfeed table after passing over cutter head	1. Outfeed table improperly adjusted above cutter knives	1. Readjust table, see “Outfeed Table Adjustment” section.
Ripples on planed surface	1. One knife set higher than other 2. Feeding wood too fast	1. Readjust knives, see “Maintenance” section. 2. Feed wood slower.
Kickbacks	3. Cutting knives are set too high above outfeed table, or they are not leveled with outfeed table	3. Readjust knives, see “Maintenance” section.
Planed surface not straight	1. Outfeed table out of adjustment	1. Readjust table, see “Outfeed Table Adjustment” section.
Excessive gouging at end of cut	1. Outfeed table set too low	1. Readjust table, see “Outfeed Table Adjustment” section.
45°, 90° and 135° cuts inaccurate	1. Fence stops not adjusted properly 2. Fence bottom not even with outfeed table due to wood chips under fence	1. Readjust fence stops, see “Alignment” section. 2. Clean wood chips from underside of fence.
Infeed or outfeed table loose	1. Loose gib	1. Tighten gibs.
Cutter guard does not function properly	1. Return spring broken, or spring needs adjustment	1. Consult an Authorized Service Center immediately if broken. 2. Adjust spring.

TROUBLESHOOTING

Problem	Cause	Solution
Excessive noise	<ol style="list-style-type: none"> 1. Motor 2. Pulley set screw is loose 	<ol style="list-style-type: none"> 1. Have motor checked by qualified service technician. Repair service is available at your nearest Authorized Service Center. 2. Tighten set screw.
<p>Motor fails to develop full power. NOTE: Low voltage (Power output of motor decreases rapidly with decreases in voltage at motor terminals. For example, a reduction of 10% in voltage causes a reduction of 19% in maximum power output of which the motor is capable, and a reduction of 20% in voltage causes a reduction of 36% in maximum power output.)</p>	<ol style="list-style-type: none"> 1. Circuit overloaded with lights, appliances, and other motors 2. Undersize wires or circuit too long 3. General overloading of power company facilities 	<ol style="list-style-type: none"> 1. Do not use other appliances or motors on same circuit when using the jointer. 2. Increase wire sizes, or reduce length of wiring. See “Motor Specifications and Electrical Requirements” section. 3. Request a voltage check from the power company.
<p>Motor starts slowly or fails to come to full speed</p>	<ol style="list-style-type: none"> 1. Windings burned out or open 2. Drive belt tension too high 3. Defective start capacitor 	<ol style="list-style-type: none"> 1. Have motor repaired or replaced. 2. Adjust belt tension. 3. Have start capacitor replaced.
<p>Motor overheats</p>	<ol style="list-style-type: none"> 1. Motor overloaded 2. Improper cooling. (Air circulation restricted through motor due to sawdust accumulating inside of motor) 	<ol style="list-style-type: none"> 1. Feed work slower into knives. 2. Clean out sawdust to provide normal air circulation through motor. See “Maintenance and Lubrication.”
<p>Motor stalls (resulting in blown fuses or tripped circuit breakers.)</p>	<ol style="list-style-type: none"> 1. Voltage too low to permit motor to reach operating speed 2. Fuses or circuit breakers do not have sufficient capacity 3. Circuit overloaded with lights, appliances and other motors 	<ol style="list-style-type: none"> 1. Request voltage check from the power company. 2. Install proper size fuses or circuit breakers. See “Electrical Connection” section. 3. Do not use other appliances or motors on same circuit when using the jointer.
<p>Frequent opening of fuses or circuit breakers</p>	<ol style="list-style-type: none"> 1. Motor overloaded 2. Fuses or circuit breakers do not have sufficient capacity 3. Circuit overloaded with lights, appliances and other motors 	<ol style="list-style-type: none"> 1. Feed work slower. 2. Install proper size fuses or circuit breakers. See “Electrical Connection” section. 3. Do not use other appliances or motors on same circuit when using the jointer.

WARRANTY

RIDGID® HAND HELD AND STATIONARY POWER TOOL 3 YEAR LIMITED SERVICE WARRANTY

Proof of purchase must be presented when requesting warranty service.

Limited to RIDGID® hand held and stationary power tools purchased 2/1/04 and after. This product is manufactured by One World Technologies, Inc. The trademark is licensed from RIDGID, Inc. All warranty communications should be directed to One World Technologies, Inc., attn: RIDGID Hand Held and Stationary Power Tool Technical Service at (toll free) 1-866-539-1710.

90-DAY SATISFACTION GUARANTEE POLICY

During the first 90 days after the date of purchase, if you are dissatisfied with the performance of this RIDGID® Hand Held and Stationary Power Tool for any reason you may return the tool to the dealer from which it was purchased for a full refund or exchange. To receive a replacement tool you must present proof of purchase and return all original equipment packaged with the original product. The replacement tool will be covered by the limited warranty for the balance of the 3 YEAR service warranty period.

WHAT IS COVERED UNDER THE 3 YEAR LIMITED SERVICE WARRANTY

This warranty on RIDGID® Hand Held and Stationary Power Tools covers all defects in workmanship or materials and normal wear items such as brushes, chucks, motors, switches, cords, gears and even cordless batteries in this RIDGID® tool for three years following the purchase date of the tool. Warranties for other RIDGID® products may vary.

HOW TO OBTAIN SERVICE

To obtain service for this RIDGID® tool you must return it; freight prepaid, or take it in to an authorized service center for RIDGID® branded hand held and stationary power tools. You may obtain the location of the authorized service center nearest you by calling (toll free) 1-866-539-1710 or by logging on to the RIDGID® website at www.ridgid.com. When requesting warranty service, you must present the original dated sales receipt. The authorized service center will repair any faulty workmanship, and either repair or replace any part covered under the warranty, at our option, at no charge to you.

WHAT IS NOT COVERED

This warranty applies only to the original purchaser at retail and may not be transferred. This warranty only covers defects arising under normal usage and does not cover any malfunction, failure or defect resulting from misuse, abuse, neglect, alteration, modification or repair by other than an authorized service center for RIDGID® branded hand held and stationary power tools. Consumable accessories provided with the tool such as, but not limited to, blades, bits and sand paper are not covered.

RIDGID, INC. AND ONE WORLD TECHNOLOGIES, INC. MAKE NO WARRANTIES, REPRESENTATIONS OR PROMISES AS TO THE QUALITY OR PERFORMANCE OF ITS POWER TOOLS OTHER THAN THOSE SPECIFICALLY STATED IN THIS WARRANTY.

ADDITIONAL LIMITATIONS

To the extent permitted by applicable law, all implied warranties, including warranties of MERCHANTABILITY or FITNESS FOR A PARTICULAR PURPOSE, are disclaimed. Any implied warranties, including warranties of merchantability or fitness for a particular purpose, that cannot be disclaimed under state law are limited to three years from the date of purchase. One World Technologies, Inc. and RIDGID, Inc. are not responsible for direct, indirect, incidental or consequential damages. Some states do not allow limitations on how long an implied warranty lasts and/or do not allow the exclusion or limitation of incidental or consequential damages, so the above limitations may not apply to you. This warranty gives you specific legal rights, and you may also have other rights which vary from state to state.

One World Technologies, Inc.

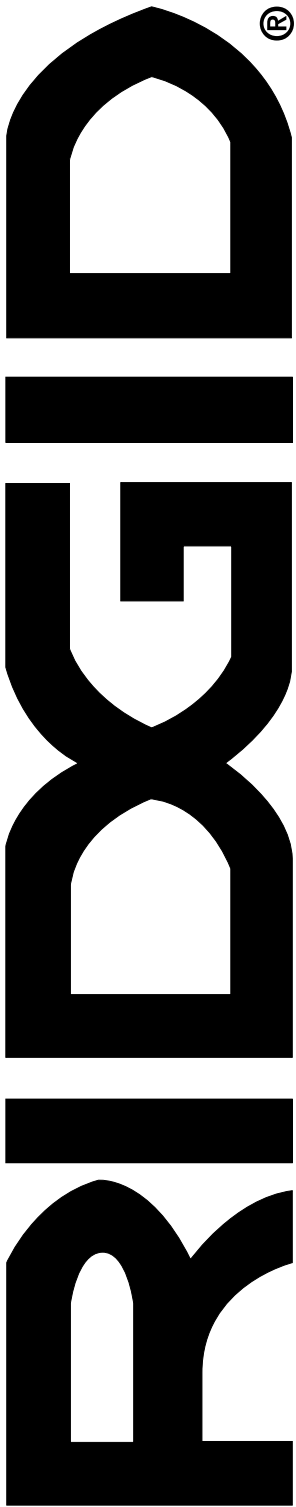
Hwy. 8

Pickens, SC 29671

OPERATOR'S MANUAL

6-1/8 in. JOINTER/PLANER

JP06101



Customer Service Information:

For parts or service, contact your nearest RIDGID authorized service center. Be sure to provide all relevant information when you call or visit. For the location of the authorized service center nearest you, please call 1-866-539-1710 or visit us online at www.ridgid.com.

The model number of this tool is found on a plate attached to the motor housing. Please record the serial number in the space provided below. When ordering repair parts, always give the following information:

Model No. _____ JP06101 _____

Serial No. _____